

Blomberg

Refrigerator

Operating instructions

Køleskab

Brugsvejledning

Kylskåp

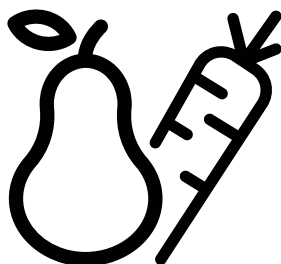
Instruktionsmanual

Kjøleskap

Bruksanvisning

Jääkaappi

Käyttöohjekirja



SSM 1450 IN

Please read this user manual first

Dear Customer,

We hope that your product, which has been produced in modern plants and checked under the most meticulous quality control procedures, will provide you an effective service.

Therefore, read this entire user manual carefully before using the product and keep it as a reference. If you handover the product to someone else, give the user manual as well.

The user manual will help you use the product in a fast and safe way.

- Read the manual before installing and operating the product.
- Make sure you read the safety instructions.
- Keep the manual in an easily accessible place as you may need it later.
- Read the other documents given with the product.
- Remember that this user manual is also applicable for several other models.
- Differences between models will be identified in the manual.

Explanation of symbols

Throughout this user manual the following symbols are used:

 Important information or useful tips.

 Warning against dangerous conditions for life and property.

 Warning against electric voltage.



WARNING!

In order to ensure a normal operation of your refrigerating appliance, which uses a completely environmentally friendly refrigerant the R600a (flammable only under certain conditions) you must observe the following rules:

- Do not hinder the free circulation of the air around the appliance.
- Do not use mechanical devices in order to accelerate the defrosting, others than the ones recommended by the manufacturer.
- Do not destroy the refrigerating circuit.
- Do not use electric appliances inside the food keeping compartment, other than those that might have been recommended by the manufacturer.

Recycling



This product is supplied with the selective sorting symbol for waste electrical and electronic equipment (WEEE).

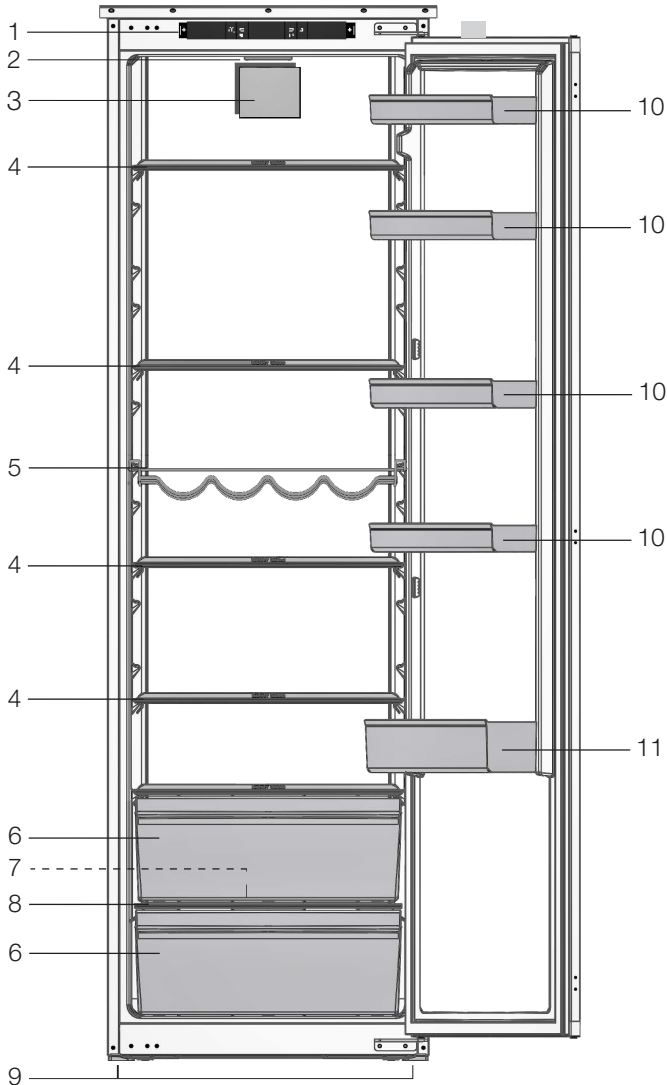
This means that this product must be handled pursuant to European Directive 2002/96/EC in order to be recycled or dismantled to minimise its impact on the environment. For further information, please contact your local or regional authorities.

Electronic products not included in the selective sorting process are potentially dangerous for the environment and human health due to the presence of hazardous substances.

CONTENTS

1 Your refrigerator	3	4 Preparation	10
2 Important Safety Warnings	4	5 Using your refrigerator	11
Intended use	4	Control Panel	11
General safety	4	Using interior compartments.....	12
For products with a water dispenser...6		Cooling.....	12
Child safety.....	6	Defrosting	12
HCA warning.....	6	6 Maintenance and cleaning	13
Things to be done for energy saving...6		Protection of plastic surfaces	13
3 Installation	7	7 Troubleshooting	14
Points to be paid attention to when the relocation of the refrigerator.....7			
Before you start the refrigerator	7		
Electrical connection.....	7		
Disposing of the packaging	8		
Disposing of your old refrigerator.....	8		
Placing and Installation	8		
Replacing the interior lamp.....	8		
Reversing the doors	9		

1 Your refrigerator



1. Control Panel

2. Interior light

3. Fresh food fan

4. Movable shelves

5. Wine rack

6. Crisper

7. Defrost water collection channel - drain tube

8. Crisper cover

9. Front feet

10. Adjustable door shelves

11. Bottle shelf

i Figures that take place in this instruction manual are schematic and may not correspond exactly with your product. If the subject parts are not included in the product you have purchased, then it is valid for other models.

2 Important Safety Warnings

Please review the following information. Failure to observe this information may cause injuries or material damage. Otherwise, all warranty and reliability commitments will become invalid.

Original Spare parts will be provided for 10 years, following the product purchasing date.

Intended use

This product is intended to be used:

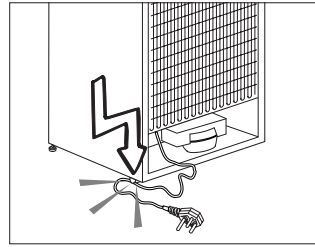
- indoors and in closed areas such as homes;
- in closed working environments such as stores and offices;
- in closed accommodation areas such as farm houses, hotels, pensions.
- It should not be used outdoors.

General safety

- When you want to dispose/scrap the product, we recommend you to consult the authorized service in order to learn the required information and authorized bodies.
- Consult your authorized service for all your questions and problems related to the refrigerator. Do not intervene or let someone intervene to the refrigerator without notifying the authorised services.
- For products with a freezer compartment; Do not eat cone ice cream and ice cubes immediately after you take them out of the freezer compartment! (This may cause frostbite in your mouth.)
- For products with a freezer compartment; Do not put bottled and canned liquid beverages in the freezer compartment. Otherwise, these may burst.
- Do not touch frozen food by hand; they may stick to your hand.

- Unplug your refrigerator before cleaning or defrosting.
- Vapor and vaporized cleaning materials should never be used in cleaning and defrosting processes of your refrigerator. In such cases, the vapor may get in contact with the electrical parts and cause short circuit or electric shock.
- Never use the parts on your refrigerator such as the door as a means of support or step.
- Do not use electrical devices inside the refrigerator.
- Do not damage the parts, where the refrigerant is circulating, with drilling or cutting tools. The refrigerant that might blow out when the gas channels of the evaporator, pipe extensions or surface coatings are punctured causes skin irritations and eye injuries.
- Do not cover or block the ventilation holes on your refrigerator with any material.
- Electrical devices must be repaired by only authorised persons. Repairs performed by incompetent persons create a risk for the user.
- In case of any failure or during a maintenance or repair work, disconnect your refrigerator mains supply by either turning off the relevant fuse or unplugging your appliance.
- Do not pull by the cable when pulling off the plug.
- Place the beverage with higher proofs tightly closed and vertically.
- Never store spray cans containing flammable and explosive substances in the refrigerator.
- Do not use mechanical devices or other means to accelerate the defrosting process, other than those recommended by the manufacturer.

- This product is not intended to be used by persons with physical, sensory or mental disorders or unlearned or inexperienced people (including children) unless they are attended by a person who will be responsible for their safety or who will instruct them accordingly for use of the product.
- Do not operate a damaged refrigerator. Consult with the service agent if you have any concerns.
- Electrical safety of your refrigerator shall be guaranteed only if the earth system in your house complies with standards.
- Exposing the product to rain, snow, sun and wind is dangerous with respect to electrical safety.
- Contact authorized service when there is a power cable damage to avoid danger.
- Never plug the refrigerator into the wall outlet during installation. Otherwise, risk of death or serious injury may arise.
- This refrigerator is intended for only storing food items. It must not be used for any other purpose.
- Label of technical specifications is located on the left wall inside the refrigerator.
- Never connect your refrigerator to electricity-saving systems; they may damage the refrigerator.
- If there is a blue light on the refrigerator, do not look at the blue light with optical tools.
- For manually controlled refrigerator, wait for at least 5 minutes to start the refrigerator after power failure.
- This operation manual should be handed in to the new owner of the product when it is given to others.
- Avoid causing damage on power cable when transporting the refrigerator. Bending cable may cause fire. Never place heavy objects on power cable.



- Do not touch the plug with wet hands when plugging the product.
- Do not plug the refrigerator if the wall outlet is loose.
- Water should not be sprayed on inner or outer parts of the product for safety purposes.
- Do not spray substances containing inflammable gases such as propane gas near the refrigerator to avoid fire and explosion risk.
- Never place containers filled with water on top of the refrigerator; in the event of spillages, this may cause electric shock or fire.
- Do not overload the refrigerator with food. If overloaded, the food items may fall down and hurt you and damage refrigerator when you open the door.
- Never place objects on top of the refrigerator; otherwise, these objects may fall down when you open or close the refrigerator door.
- As they require a precise temperature, vaccines, heat-sensitive medicine and scientific materials and etc. should not be kept in the refrigerator.
- If not to be used for a long time, refrigerator should be unplugged. A possible problem in power cable may cause fire.
- The plug's tip should be cleaned regularly with a dry cloth; otherwise, it may cause fire.
- Refrigerator may move if adjustable legs are not properly secured on the floor. Properly securing adjustable legs on the floor can prevent the refrigerator to move.

- When carrying the refrigerator, do not hold it from door handle. Otherwise, it may be snapped.
- When you have to place your product next to another refrigerator or freezer, the distance between devices should be at least 8 cm. Otherwise, adjacent side walls may be humidified.

For products with a water dispenser

Pressure of water mains should be minimum 1 bar. Pressure of water mains should be maximum 8 bars.

- Use only potable water.

Child safety

- If the door has a lock, the key should be kept away from reach of children.
- Children must be supervised to prevent them from tampering with the product.

HCA warning

If your product's cooling system contains R600a:

This gas is flammable. Therefore, pay attention to not damaging the cooling system and piping during usage and transportation. In the event of damage, keep your product away from potential fire sources that can cause the product catch a fire and ventilate the room in which the unit is placed.

Ignore this warning if your product's cooling system contains R134a.


Type of gas used in the product is stated in the type label which is on the left wall inside the refrigerator.

Never throw the product in fire for disposal.

Things to be done for energy saving

- Do not leave the doors of your refrigerator open for a long time.
- Do not put hot food or drinks in your refrigerator.
- Do not overload your refrigerator so that the air circulation inside of it is not prevented.
- Do not install your refrigerator under direct sunlight or near heat emitting appliances such as ovens, dishwashers or radiators. Keep your refrigerator at least 30 cm away from heat emitting sources and at least 5 cm from electrical ovens.
- Pay attention to keep your food in closed containers.
- Thawing frozen food in fridge compartment will both provide energy saving and preserve the food quality.

3 Installation

 In case the information which are given in the user manual are not taken into account, manufacturer will not assume any liability for this.

Points to be paid attention to when the relocation of the refrigerator

1. Your refrigerator should be unplugged. Before transportation of your refrigerator it should be emptied and cleaned.
2. Before it is re-packaged, shelves, accessories, crisper, etc. inside your refrigerator should be fixed with adhesive tape and secured against impacts. Package should be bound with a thick tape or sound ropes and the transportation rules on the package should be strictly observed.
3. Original packaging and foam materials should be kept for future transportations or moving.

Before you start the refrigerator,

Check the following before you start to use your refrigerator:

1. Is the interior of the refrigerator dry and can the air circulate freely in the rear of it?
2. Clean the interior of the refrigerator as recommended in the “Maintenance and cleaning” section.

3. Connect the plug of the refrigerator to the wall socket. When the fridge door is opened, fridge internal lamp will turn on.
4. When the compressor starts to operate, a sound will be heard. The liquid and gases sealed within the refrigeration system may also give rise to noise, even if the compressor is not running and this is quite normal.
5. Front edges of the refrigerator may feel warm. This is normal. These areas are designed to be warm to avoid condensation.


Electrical connection


Connect your product to a grounded socket which is being protected by a fuse with the appropriate capacity.

Important:

The connection must be in compliance with national regulations.

- The power plug must be easily accessible after installation.
- Electrical safety of your refrigerator shall be guaranteed only if the earth system in your house complies with standards.
- The voltage stated on the label located at left inner side of your product should be equal to your network voltage.
- **Extension cables and multi plugs must not be used for connection.**

 A damaged power cable must be replaced by a qualified electrician.

 Product must not be operated before it is repaired! There is the risk of electric shock!

Disposing of the packaging

The packing materials may be dangerous for children. Keep the packing materials out of the reach of children or dispose of them by classifying them in accordance with the waste instructions stated by your local authorities. Do not throw away with regular house waste, throw away on packaging pick up spots designated by the local authorities. The packing of your refrigerator is produced from recyclable materials.

Disposing of your old refrigerator

Dispose of your old refrigerator without giving any harm to the environment.

- You may consult your authorized dealer or waste collection center of your municipality about the disposal of your refrigerator.

Before disposing of your refrigerator, cut out the electric plug and, if there are any locks on the door, make them inoperable in order to protect children against any danger.

Placing and Installation

⚠ If the entrance door of the room where the refrigerator will be installed is not wide enough for the refrigerator to pass through, then call the authorized service to have them remove the doors of your refrigerator and pass it sideways through the door.

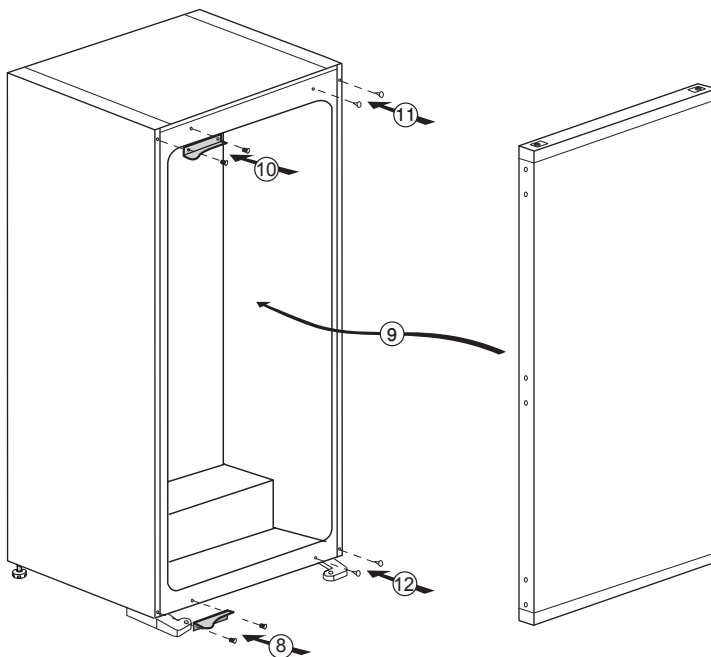
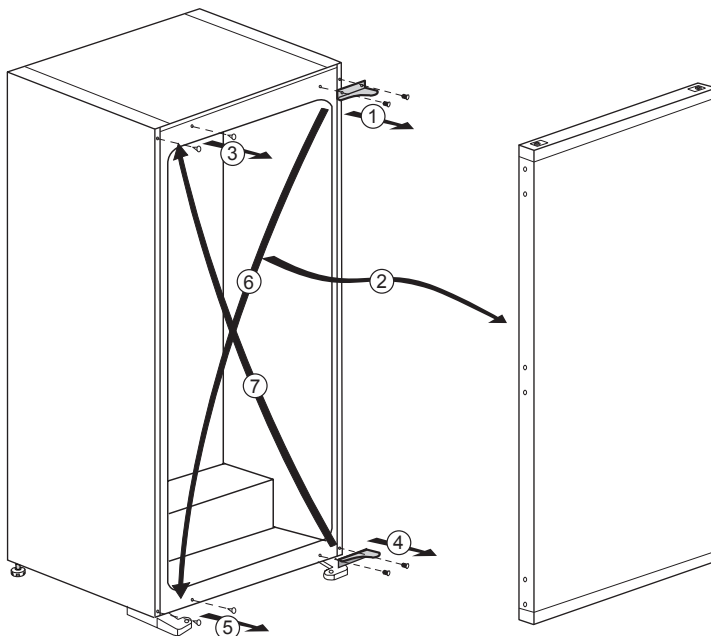
1. Install your refrigerator to a place that allows ease of use.
2. Keep your refrigerator away from heat sources, humid places and direct sunlight.
3. There must be appropriate air ventilation around your refrigerator in order to achieve an efficient operation. If the refrigerator is to be placed in a recess in the wall, there must be at least 5 cm distance with the ceiling and at least 5 cm with the wall. Do not place your product on the materials such as rug or carpet.
4. Place your refrigerator on an even floor surface to prevent jolts.
5. Do not keep your refrigerator in ambient temperatures under 10°C.

Replacing the interior lamp

To change the Bulb/LED used for illumination of your refrigerator, call your Authorised Service. The lamp(s) used in this appliance is not suitable for household room illumination. The intended purpose of this lamp is to assist the user to place foodstuffs in the refrigerator/freezer in a safe and comfortable way. The lamps used in this appliance have to withstand extreme physical conditions such as temperatures below -20°C.

Reversing the doors

Proceed in numerical order.

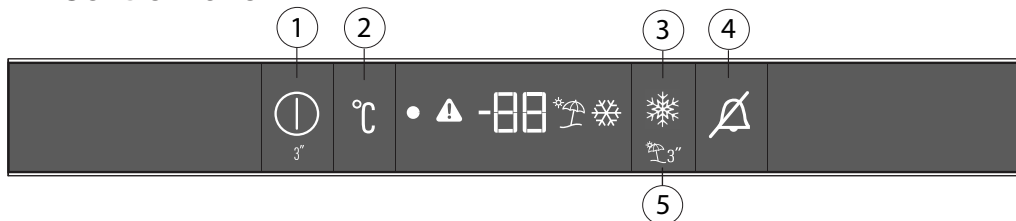


4 Preparation

- Your refrigerator should be installed at least 30 cm away from heat sources such as hobs, ovens, central heater and stoves and at least 5 cm away from electrical ovens and should not be located under direct sunlight.
- The ambient temperature of the room where you install your refrigerator should at least be 10°C. Operating your refrigerator under cooler conditions is not recommended with regard to its efficiency.
- Please make sure that the interior of your refrigerator is cleaned thoroughly.
- If two refrigerator are to be installed side by side, there should be at least 2 cm distance between them.
- When you operate your refrigerator for the first time, please observe the following instructions during the initial six hours.
- The door should not be opened frequently.
- It must be operated empty without any food in it.
- Do not unplug your refrigerator. If a power failure occurs out of your control, please see the warnings in the “Troubleshooting” section.
- Original packaging and foam materials should be kept for future transportations or moving.

5 Using your refrigerator

Control Panel



1. On/Off Indicator

Press the On/Off button for 3 seconds to turn off or turn on the fridge. When the fridge is off, the symbol (●) is lit. All the other symbols are turned off.

2. Fridge temperature setting button

Press this button (°C) to set the temperature of the fridge to 8, 7, 6, 5, 4, 3, 2, 8... respectively. Press this button to set the fridge temperature to the desired value.

3. Quick fridge function

The button (❄️) has two functions. To activate or deactivate the quick cool function, press it briefly. Quick Cool indicator will turn off and the product return to its normal settings.

Use the Quick cooling function when you want to quickly cool the food placed in the fridge. If you want to cool large amounts of fresh food, activate this function before putting the food into the product.

If you do not cancel it, Quick cooling will cancel itself automatically after 1 hour at the most or when the fridge reaches the required temperature. This function is not recalled when power restores after a power failure.

4. Alarm Off

When the fridge door is opened for 1 minute a sound alarm turns on. The alarm can be turned off by pressing the "Alarm Off" (🔔) button. If you close the door and then open again "Door open alarm" will be activated again after 1 minute later. In the case of sensor failure, the warning icon will lit (⚠️). If the button „Alarm off" is pressed, the warning will be "cleaned".

5. Vacation Function

In order to activate vacation function, press this button (🏖️) for 3 seconds, and the vacation mode indicator (🏖️) will be activated. When the vacation function is activated, "--" is displayed on the fridge temperature indicator and no active cooling is performed in the fridge. It is not suitable to keep the food in the fridge in this function. To cancel this function press **Vacation** function button again.

Using interior compartments

Movable shelves: Distance between the shelves can be adjusted when necessary.

Vegetable drawer: Vegetables and fruits can be stored in this compartment for long periods without decaying.

Bottle shelf: Bottles, jars and tins can be placed in these shelves.

Cooling Food storage

The fridge compartment is for the short-term storage of fresh food and drinks.

Store milk products in the intended compartment in the refrigerator.

Bottles can be stored in the bottle holder or in the bottle shelf of the door.

Raw meat is best kept in a polyethylene bag in the compartment at the very bottom of the refrigerator.

Allow hot foods and beverages to cool to room temperature prior to placing them in the refrigerator.

- Attention

Store concentrated alcohol only standing upright and tightly closed.

- Attention

Do not store explosive substances or containers with flammable propellant gases (canned cream, spray cans etc.) in the device. There is a danger of explosion.

Defrosting

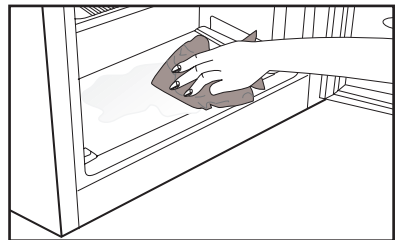
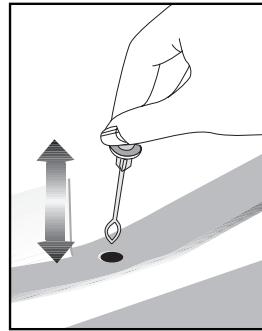
The fridge compartment defrosts automatically.

The thawing water flows through the drain channel into a collection container at the rear of the device.

During defrosting, water droplets form at the back of the fridge due to the evaporator.

If not all of the drops run down, they may freeze again after defrosting remove them with a cloth soaked in warm water, but never with a hard or sharp object.

Check the flow of the thawed water from time to time. It may become plugged occasionally.



6 Maintenance and cleaning

- ⚠ Never use gasoline, benzene or similar substances for cleaning purposes.
- ⚠ We recommend that you unplug the appliance before cleaning.
- ⚠ Never use any sharp abrasive instrument, soap, household cleaner, detergent and wax polish for cleaning.
- ℹ Use lukewarm water to clean the cabinet of your refrigerator and wipe it dry.
- ℹ Use a damp cloth wrung out in a solution of one teaspoon of bicarbonate of soda to one pint of water to clean the interior and wipe it dry.
- ⚠ Make sure that no water enters the lamp housing and other electrical items.
- ⚠ If your refrigerator is not going to be used for a long period of time, unplug the power cable, remove all food, clean it and leave the door ajar.
- ℹ Check door seals regularly to ensure they are clean and free from food particles.
- ⚠ To remove door racks, remove all the contents and then simply push the door rack upwards from the base.
- ⚠ Never use cleaning agents or water that contain chlorine to clean the outer surfaces and chromium coated parts of the product. Chlorine causes corrosion on such metal surfaces.

Protection of plastic surfaces

- ℹ Do not put the liquid oils or oil-cooked meals in your refrigerator in unsealed containers as they damage the plastic surfaces of your refrigerator. In case of spilling or smearing oil on the plastic surfaces, clean and rinse the relevant part of the surface at once with warm water.

7 Troubleshooting

Please review this list before calling the service. It will save your time and money. This list includes frequent complaints that are not arising from defective workmanship or material usage. Some of the features described here may not exist in your product.

The refrigerator does not operate.

- The plug is not inserted into the socket correctly. >>>Insert the plug into the socket securely.
- The fuse of the socket which your refrigerator is connected to or the main fuse have blown out. >>>Check the fuse.

Condensation on the side wall of the fridge compartment (MULTIZONE, COOL CONTROL and FLEXI ZONE).

- Ambient is very cold. >>>Do not install the refrigerator in places where the temperature falls below 10°C.
- Door has been opened frequently. >>>Do not open and close the door of refrigerator frequently.
- Ambient is very humid. >>>Do not install your refrigerator into highly humid places.
- Food containing liquid is stored in open containers. >>>Do not store food with liquid content in open containers.
- Door of the refrigerator is left ajar. >>>Close the door of the refrigerator.
- Thermostat is set to a very cold level. >>>Set the thermostat to a suitable level.

Compressor is not running.

- Protective thermic of the compressor will blow out during sudden power failures or plug-out plug-ins as the refrigerant pressure in the cooling system of the refrigerator has not been balanced yet. The refrigerator will start running approximately after 6 minutes. Please call the service if the refrigerator does not startup at the end of this period.
- The fridge is in defrost cycle. >>>This is normal for a full-automatically defrosting refrigerator Defrosting cycle occurs periodically.
- The refrigerator is not plugged into the socket. >>>Make sure that the plug is fit in o the socket.
- Temperature settings are not made correctly. >>>Select the suitable temperature value.
- There is a power outage. >>>Refrigerator returns to normal operation when the power restores.

The operation noise increases when the refrigerator is running.
<ul style="list-style-type: none"> The operating performance of the refrigerator may change due to the changes in the ambient temperature. It is normal and not a fault.
The refrigerator is running frequently or for a long time.
<ul style="list-style-type: none"> New product may be wider than the previous one. Larger refrigerator operate for a longer period of time. The room temperature may be high. >>>It is normal that the product operates for longer periods in hot ambient. The refrigerator might be plugged in recently or might be loaded with food. >>>When the refrigerator is plugged in or loaded with food recently, it will take longer for it to attain the set temperature. This is normal. Large amounts of hot food might be put in the refrigerator recently. >>>Do not put hot food into the refrigerator. Doors might be opened frequently or left ajar for a long time. >>>The warm air that has entered into the refrigerator causes the refrigerator to run for longer periods. Do not open the doors frequently. Freezer or fridge compartment door might be left ajar. >>>Check if the doors are closed completely. The refrigerator is adjusted to a very low temperature. >>>Adjust the refrigerator temperature to a warmer degree and wait until the temperature is achieved. Door seal of the fridge or freezer may be soiled, worn out, broken or not properly seated. >>>Clean or replace the seal. Damaged/broken seal causes the refrigerator to run for a longer period of time in order to maintain the current temperature.
Freezer temperature is very low while the fridge temperature is sufficient.
<ul style="list-style-type: none"> The freezer temperature is adjusted to a very low value. >>>Adjust the freezer temperature to a warmer degree and check.
Fridge temperature is very low while the freezer temperature is sufficient.
<ul style="list-style-type: none"> The fridge temperature is adjusted to a very low value. >>>Adjust the fridge temperature to a warmer degree and check.
Food kept in the fridge compartment drawers is frozen.
<ul style="list-style-type: none"> The fridge temperature is adjusted to a very high value. >>>Adjust the fridge temperature to a lower value and check.

Temperature in the fridge or freezer is very high.
<ul style="list-style-type: none"> • The fridge temperature is adjusted to a very high value. >>>Fridge compartment temperature setting has an effect on the temperature of the freezer. Change the temperatures of the fridge or freezer and wait until the relevant compartments attain a sufficient temperature. • Doors are opened frequently or left ajar for a long time. >>>Do not open the doors frequently. • Door is ajar. >>>Close the door completely. • The refrigerator is plugged in or loaded with food recently. >>>This is normal. When the refrigerator is plugged in or loaded with food recently, it will take longer for it to attain the set temperature. • Large amounts of hot food might be put in the refrigerator recently. >>>Do not put hot food into the refrigerator.
Vibrations or noise.
<ul style="list-style-type: none"> • The floor is not level or stable. >>> If the refrigerator rocks when moved slowly, balance it by adjusting its feet. Also make sure that the floor is strong enough to carry the refrigerator, and level. • The items put onto the refrigerator may cause noise. >>>Remove the items on top of the refrigerator.
There are noises coming from the refrigerator like liquid flowing, spraying, etc.
<ul style="list-style-type: none"> • Liquid and gas flows occur in accordance with the operating principles of your refrigerator. It is normal and not a fault.
Whistle comes from the refrigerator.
<ul style="list-style-type: none"> • Fans are used in order to cool the refrigerator It is normal and not a fault.
Condensation on the inner walls of refrigerator.
<ul style="list-style-type: none"> • Hot and humid weather increases icing and condensation. It is normal and not a fault. • Doors are opened frequently or left ajar for a long time. >>>Do not open the doors frequently. Close them if they are open. • Door is ajar. >>>Close the door completely.
Humidity occurs on the outside of the refrigerator or between the doors.
<ul style="list-style-type: none"> • There might be humidity in the air; this is quite normal in humid weather. When the humidity is less, condensation will disappear.
Bad odour inside the refrigerator.
<ul style="list-style-type: none"> • No regular cleaning is performed. >>>Clean the inside of the refrigerator regularly with a sponge, lukewarm water or carbonate dissolved in water. • Some containers or package materials may cause the smell. >>>Use a different container or different brand packaging material. • Food is put into the refrigerator in uncovered containers. >>>Keep the food in closed containers. Microorganisms spreading out from uncovered containers can cause unpleasant odours. • Remove the foods that have expired best before dates and spoiled from the refrigerator.
The door is not closing.
<ul style="list-style-type: none"> • Food packages are preventing the door from closing. >>>Replace the packages that are obstructing the door. • The refrigerator is not completely even on the floor. >>>Adjust the feet to balance the refrigerator. • The floor is not level or strong. >>>Make sure that the floor is level and capable to carry the refrigerator.
Crispers are stuck.
<ul style="list-style-type: none"> • The food is touching the ceiling of the drawer. >>>Rearrange food in the drawer.

Læs venligst denne vejledning inden du tager køleskabet i brug.

Kære kunde,

Vi håber, at dit produkt, der er produceret i moderne produktionsanlæg og kontrolleret under de grundigste kvalitetskontrolprocedurer, vil give dig en effektiv service.

Vi anbefaler, at denne brugsvejledning læses grundigt inden køleskabet tages i brug og opbevares til fremtidig reference.


Denne brugsvejledning


- Hjælper dig til at bruge dit apparat på en hurtig og sikker måde.
- Læs venligst vejledningen, før du installerer og bruger produktet.
- Følg venligst instruktionerne, særligt dem, der omhandler sikkerhed.
- Opbevar vejledningen et sted, hvor du nemt kan komme til den, da du kan få brug for den senere.
- Læs venligst også de andre dokumenter, der følger med produktet.
- Bemærk, at denne brugsvejledning også kan være gyldig for andre modeller.

Symboler og deres beskrivelse

Denne brugsvejledning indeholder følgende symboler:

 Vigtige informationer eller brugbare tips.

 Advarsel mod farlige forhold for liv og ejendom.

 Advarsel mod strømspænding.



ADVARSEL!

For at sikre køleapparatets normale funktion, som i øvrigt bruger den miljøvenlige kølervæske R600a (kun brandbar under visse omstændigheder), skal følgende forholdsregler følges:

- Bloker ikke den fri luftcirkulation omkring apparatet.
- Brug ikke andet mekanisk udstyr, end det der er anbefalet af fabrikanten for at accelerere afsningsprocessen.
- Ødelæg ikke kølekredsløbet.
- Brug ikke elektriske apparater inde i skabets opbevaringsafsnit, med mindre de er af en type, der er anbefalet af fabrikanten.

Genvinding



Dette produkt er udstyret med symbolet for selektiv sortering af affald fra elektrisk og elektronisk udstyr (WEEE).

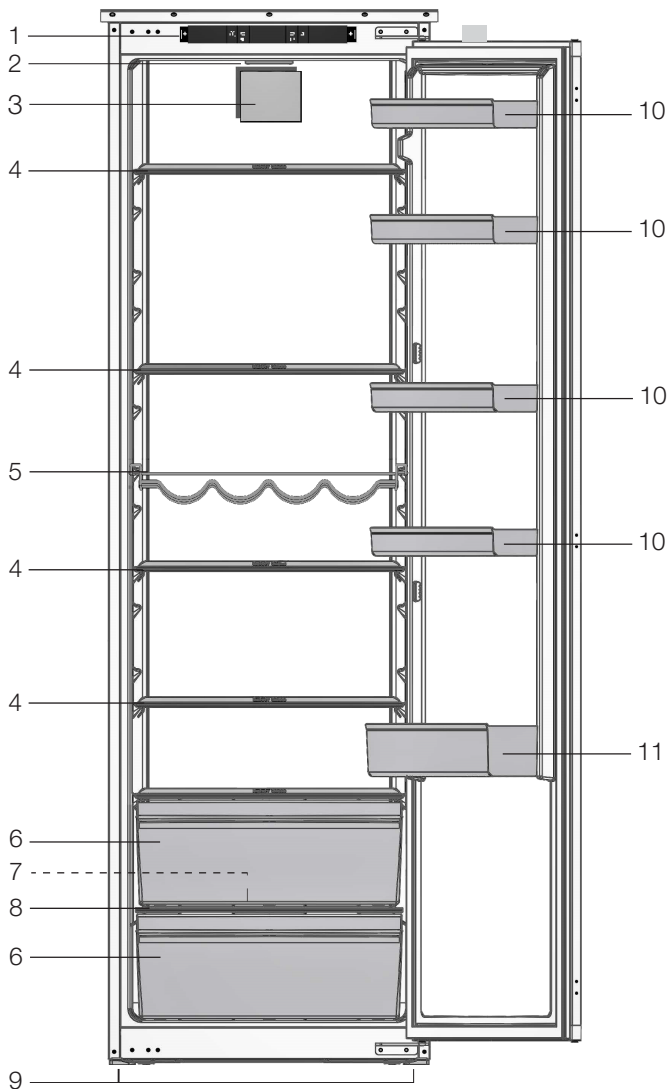
Det betyder, at dette produkt skal håndteres i henhold til det Europæiske Direktiv 2002/96/EC for at blive genanvendt eller afmonteret for at minimere påvirkningen af miljøet. For yderligere information bedes du kontakte de lokale myndigheder.

Elektroniske produkter, der ikke er omfattet af den selektive sorteringsproces, er potentielt farlige for miljøet og menneskets sundhed pga. af tilstedeværelsen af farlige substanser.

INDHOLD

1 Køleskabet	3	4 Forberedelse	10
2 Vigtige sikkerhedsadvarsler	4	5 Betjening af produktet	11
Tilsluttet brug.....	4	Indikatorpanel	11
Generelle sikkerhedsregler.....	4	Anvendelse af de indvendige rum	12
For produkter med en vanddispenser....	6	Køling	12
Børnesikkerhed	6	Afrimning.....	12
HCA Advarsel.....	6	6 Vedligeholdelse og rengøring	13
Energibesparende foranstaltninger.....	6	Beskyttelse af plastikoverflader	13
3 Installation	7	7 Anbefalede løsninger på problemerne	14
Punkter, der skal tages hensyn til, hvis køleskabet skal transporteres igen.....	7		
Inden køleskabet betjenes	7		
Elektrisk tilslutning	7		
Bortskaffelse af emballagen	8		
Bortskaffelse af det gamle køleskab....	8		
Placering og installation	8		
Udskiftning af den indvendige lyspære	8		
Vende dørene	9		

1 Køleskabet



- | | |
|-------------------------------|-------------------------------|
| 1. Betjeningspanel | 7. Vandopsamler |
| 2. Indvendigt lys | 8. Låg til grøntsager |
| 3. Blæser til friske madvarer | 9. Forreste fødder |
| 4. Flytbare hylder | 10. Justerbare hylder i lågen |
| 5. Vinhylde | 11. Flaskehylde |
| 6. Grøntsagsskuffe | |

! Tallene i denne manual er skematiske og svarer måske ikke helt til dit produkt. Hvis delene ikke er indeholdt i det produkt, du har købt, findes de i andre modeller.

2 Vigtige sikkerhedsadvarsler

Gennemgå følgende informationer. Hvis ovenstående informationer ikke læses, kan det medføre beskadigelse eller materiel skade. Ellers vil alle garantier og løfter om driftssikkerhed blive ugyldige.

Tilsigtet brug

Dette produkt er beregnet til brug:

- indendørs og i lukkede områder, såsom huse og lejligheder;
- i lukkede arbejdsmiljøer, såsom butikker og kontorer;
- i lukkede overnatningsområder, såsom gårde, hoteller, pensioner.
- Dette produkt er ikke beregnet til udendørs brug.

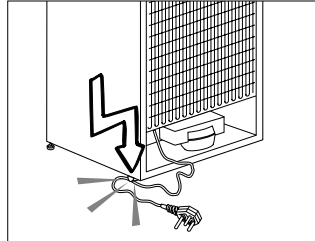
Generelle sikkerhedsregler

- Når du vil bortkaste/skrotte produktet, anbefaler vi, at du rådfører dig med den autoriserede service for at tilegne dig de krævede informationer samt med de autoriserede myndigheder.
- Kontakt den autoriserede forhandler for at få svar på spørgsmål og problemer omkring køleskabet. Undlad at foretage indgreb eller lade andre foretage indgreb på køleskabet uden at informere den autoriserede forhandler.
- For produkter med en fryseafdeling; Undlad at spise vaffelis eller isterninger lige efter, du har taget dem ud af fryseren! (Det kan forårsage forfrysninger i munden.)
- For produkter med fryseafdeling; Læg ikke drikkevarer i flaske eller på dåse i fryseren. De kan eksplodere.
- Rør ikke frosne madvarer med hænderne, da de kan hænge fast i din hånd.
- Tag stikket ud af kontakten inden rengøring eller afrimning.
- Damp og fordampede rengøringsmaterialer skal aldrig bruges ved rengøring og afrimning af køleskabet. Hvis det sker, kan dampen komme i kontakt med de elektriske dele og forårsage kortslutning eller elektrisk stød.
- Brug aldrig delene på køleskabet, som f.eks. lågen til at støtte dig på eller stå på.
- Brug ikke elektriske apparater inde i køleskabet.
- Undlad at beskadige de dele, som kølemidlet cirkulerer omkring, med bore- eller skæreværktøjer. Kølemidlet, som kan blæse ud, når fordamperens gaskanaler, forlængerrørene eller overfladebelæggningerne punkteres, kan forårsage hudirritationer og øjenskader.
- Undlad med nogen form for materiale at tildække eller blokere ventilationshullerne på køleskabet.
- Elektriske apparater må kun repareres af autoriserede personer. Reparationer, der er udført af inkompetente personer, kan skabe en risiko for brugeren.
- I tilfælde af fejlfunktion under vedligeholdelses- eller reparationsarbejde skal køleskabets forsyningsnet afbrydes ved enten at slukke for den relevante sikring eller ved at tage apparatets stik ud af kontakten.
- Træk ikke i ledningen, når stikket skal tages ud.
- Placer de drikkevarer, der indeholder højere alkoholprocent, stramt lukket og lodret.

- Opbevar aldrig produkter, der indeholder en brandfarlig drivgas og eksplosive stoffer i køleskabet.
- Der må ikke anvendes mekanisk udstyr eller andre midler, ud over de af producenten anbefalede, for at fremskynde afrimningsprocessen.
- Dette produkt er ikke beregnet til brug af personer med fysiske handicap, føleforstyrrelser og psykiske lidelser eller personer, som ikke har modtaget instruktion (herunder børn), medmindre de er ledsaget af en person, der er ansvarlig for deres sikkerhed eller som instruerer dem i brug af produktet.

- Lad ikke et beskadiget køleskab køre. Rådfør dig med serviceagenten, hvis du har nogen bekymringer.
- Der kan kun garanteres for køleskabets strømsikkerhed, hvis jordingsystemet i dit hjem opfylder standarderne.
- At udsætte produkterne for regn, sne, sol og vind er farligt hvad angår el-sikkerheden.
- Kontakt autoriseret service, hvis der er beskadiget en strømledning for at undgå fare.
- Sæt aldrig køleskabet ind i stikkontakten under installationen. Hvis det sker, kan der opstå risiko for dødsfald eller alvorlig skade.
- Dette køleskab er kun beregnet til opbevaring af madvarer. Det bør ikke bruges til andre formål.
- Mærkat med tekniske specifikationer findes på indersiden af køleskabets venstre side.
- Køleskabet må aldrig sluttes til strømbesparende systemer; de kan ødelægge køleskabet.
- Hvis der er et blåt lys i køleskabet, må du ikke kigge på det med optiske værktøjer.
- For manuelt kontrollerede køleskabe, vent mindst 5 minutter før du starter køleskabet efter strømsvigt.

- Denne brugermanual skal afleveres til den nye ejer når det skifter ejerskab.
- Undgå at forårsage skade på ledningen under transport af køleskabet. Bøjet ledning kan forårsage brand. Placér aldrig tunge genstande på strømledningen. Rør ikke ved stikket med våde hænder, når du tager stikket ud.



- Tilslut ikke køleskabet, hvis vægstikket er løst.
- Vand bør ikke blive sprøjet direkte på indre og ydre dele af produktet af sikkerhedsmæssige årsager.
- Sprøjt ikke stoffer, der indeholder brændbare drivgasser, såsom propan, i nærheden af køleskabet for at undgå brand og eksplosionsfare.
- Anbring aldrig objekter fyldt med vand oven på køleskabet, da de kan forårsage elektrisk stød eller brand.
- Overfyld ikke køleskabet med for meget mad. Hvis køleskabet er overfyldt, kan madvarer falde ned når døren åbnes og skade dig og køleskabet. Anbring ikke objekter oven på køleskabet, da de kan falde ned når køleskabsdøren åbnes eller lukkes.
- Produkter, der har brug for præcis temperaturkontrol, såsom vacciner, varmefølsomme medikamenter, videnskabelige materialer osv., bør ikke opbevares i køleskabet.
- Hvis køleskabet ikke bruges i længere periode, skal stikket tages ud af stikkontakten. Et muligt problem med strømledning kan forårsage brand.

- Spidsen af stikket bør rengøres jævnligt da det ellers kan forårsage brand.
- Stikkets ende bør jævnligt rengøres med en tør klud, da den ellers kan starte en brand.
- Køleskabet kan flytte sig, hvis de justerbare fødder ikke er justeret til gulvet. Korrekt sikring af justerbare fødder på gulvet kan forhindre køleskabet i at flytte.
- Du skal ikke trække i dørhåndtag for at flytte køleskabet. Hvis det sker, vil den brække.
- Når du skal placere køleskabet ved siden af et andet køleskab eller fryser, skal afstanden mellem apparaterne være på mindst 8 cm. Ellers kan der opstå kondens på sidevægge.

For produkter med en vanddispenser

Vandledningstrykket skal være minimum 1 bar. Vandledningstrykket skal være maksimum 8 bar.

- Brug kun rent vand.

Børnesikkerhed

- Hvis døren har en lås, bør nøglen opbevares uden for børns rækkevidde.
- Børn skal være under opsyn for at hindre dem fra at pille ved produktet.

HCA Advarsel

Hvis dit produkts kølesystem indeholder R600a:

Denne gas er brændbar. Du skal derfor være opmærksom på at ødelægge kølesystemet under brug og transport. I tilfælde af beskadigelse, skal produktet holdes væk fra mulige brandkilder, der kan forårsage, at produktet går i brand og du skal sørge for at lufte ud i rummet, hvor produktet er placeret.

Se bort fra advarslen hvis dit produkts kølesystem indeholder R134a.

Gastypen anvendt i produktet er beskrevet på typepladen, der findes på indersiden af køleskabets venstre væg. Anbring aldrig produktet i ild for bortskaffelse.

Energibesparende foranstaltninger

- Undlad at lade lågerne i køleskabet stå åbne i lang tid.
- Put ikke varm mad eller drikke i køleskabet.
- Overfyld ikke køleskabet, så luftcirkulationen bliver forhindret.
- Placer ikke dit køleskab under direkte sollys eller tæt på varmeudstrålende apparater, som f.eks. ovne, opvaskemaskiner eller radiatorer.
- Vær omhyggelig med at opbevare maden i lukkede beholdere.
- Optøning af frosne fødevarer i køleafsnit vil både give energibesparelser og bevare fødevarerens kvalitet.

3 Installation

⚠ Husk, at producenten ikke holdes ansvarlig, hvis oplysningerne givet i brugsanvisningen ikke er overholdt.

Punkter, der skal tages hensyn til, hvis køleskabet skal transporteres igen

1. Køleskabet skal tømmes og rengøres inden transport.
2. Hylde, tilbehør, grøntsagsskuffer osv. i køleskabet skal fastgøres sikkert for at modvirke stød, inden produktets pakkes igen.
3. Emballagen skal fastgøres med tykt tape og stærke reb, og reglerne for transport, der er trykt på pakken, skal følges.

Glem ikke, at...

Alt genbrugsmateriale er en uundværlig kilde for naturen og for vore nationale ressourcer. Hvis du ønsker at medvirke til at genbruge emballagen, kan du få yderligere informationer hos miljøorganisationerne eller de lokale myndigheder.

Inden køleskabet betjenes

Inden du begynder at bruge køleskabet, skal du kontrollere følgende:

1. Er køleskabet tørt indvendigt og kan luften cirkulere frit bagved det?
2. Rengør køleskabet indvendigt som anbefalet i afsnittet "Vedligeholdelse og rengøring".

3. Sæt køleskabets stik i kontakten. Når køleskabets dør åbnes, vil køleskabets indvendige lys tændes.
4. Der vil kunne høres en lyd, når kompressoren starter. Kølevæsken og luftarterne, der findes i kølesystemet, kan også støje lidt, selv om kompressoren ikke kører, hvilket er helt normalt.
5. Køleskabets forreste kanter kan føles varme. Dette er helt normalt. Disse områder er beregnet til at være varme for at undgå kondensering.

Elektrisk tilslutning

Tilslut produktet til en jordet kontakt, der er beskyttet af en sikring med passende kapacitet.

Vigtigt:

- Tilslutningen skal være i overensstemmelse med de nationale regulativer.
 - Strømskiftet skal være nemt tilgængeligt efter installationen.
 - Den angivne spænding skal være lig med spændingen på dit el-net.
 - Mellemkabler og stikdåser med flere stik skal ikke bruges til tilslutningen.
- ⚠ Et ødelagt strømkabel skal udskiftes af en autoriseret elektriker.
- ⚠ Produktet må ikke betjenes, før det er repareret! Der er fare for elektrisk stød!

Bortskaffelse af emballagen

Emballagen kan være farlig for børn. Hold emballagen væk fra børns rækkevidde eller bortskaf den, idet du skal klassificere den i henhold til affaldsinstruktionerne. Smid dem ikke væk sammen med det øvrige husholdningsaffald.

Køleskabets emballage er produceret af genanvendelige materialer.

Bortskaffelse af det gamle køleskab

Bortskaf det gamle køleskab uden at skade miljøet.

- Du kan spørge din forhandler eller genbrugsstationen i din kommune angående bortskaffelse af køleskabet.
- Inden køleskabet bortskaffes, skal du skære elstikket af, og hvis der er låse i lågen, skal du gøre dem ubrugelige for at beskytte børn mod fare.

Placering og installation

⚠ Hvis indgangsdøren til rummet, hvor køleskabet skal installeres, ikke er bred nok til køleskabet at komme igennem, skal du kontakte autoriseret serviceagent for at fjerne køleskabsdøre og så bære køleskabet sidelæns igennem døren.

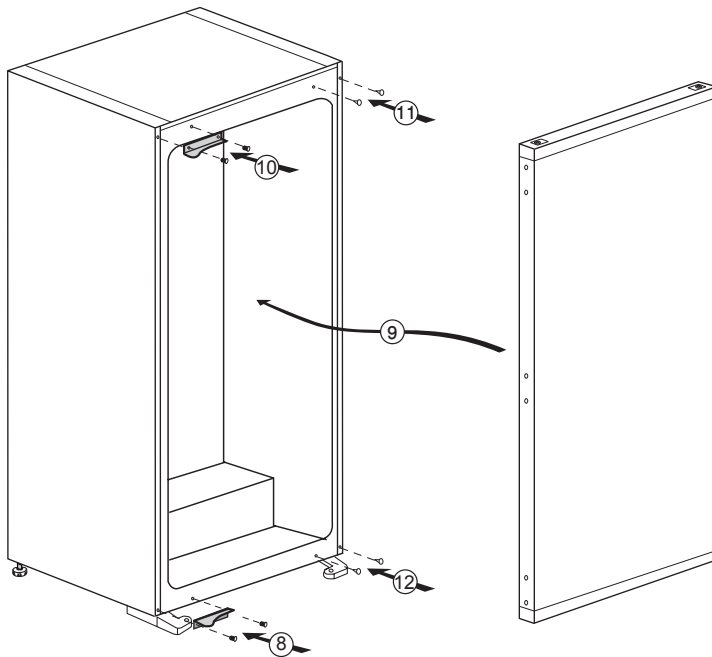
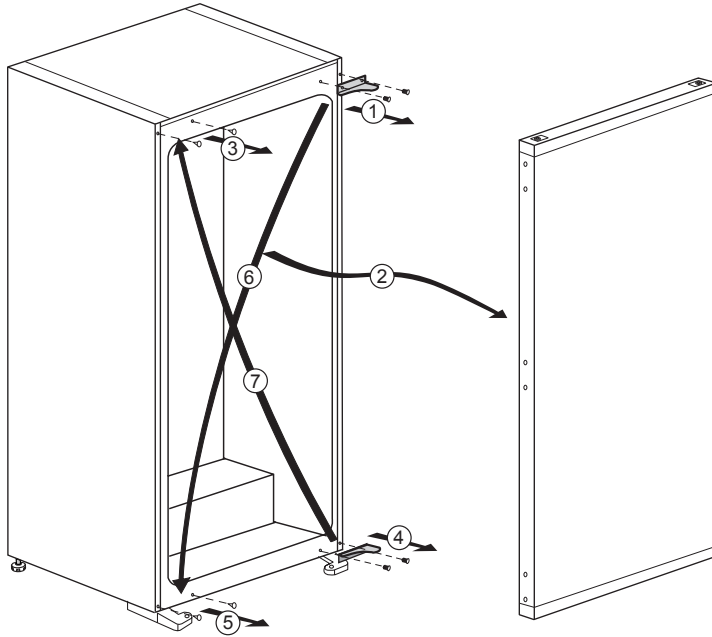
1. Installér køleskabet på et sted, hvor det er nemt at bruge.
2. Hold køleskabet væk fra varmekilder, fugtige steder og direkte sollys.
3. Der skal være tilstrækkelig ventilation rundt om køleskabet for at opnå en effektiv funktion. Hvis køleskabet skal placeres i en fordybning i væggen, skal der være mindst 5 cm afstand fra loft og væg. Hvis gulvet er belagt med tæppe, skal produktet hæves 2,5 cm fra gulvet.
4. Placér køleskabet på en jævn gulvoverflade for at undgå rystebevægelser.
5. Stil ikke køleskabet på et sted, hvor de omgivende temperaturer er under 10°C.

Udskiftning af den indvendige lyspære

For at skifte lampen, der belyser køleskabet, bedes du ringe til den autoriserede service. Pæreme for dette husholdningsapparat er ikke egnet til belysningsformål. Det tiltænkte formål med denne pære er at gøre det muligt for brugeren at placere levnedsmidler i køleskabet/fryseren på en sikker og bekvem måde. De pærer der anvendes i enheden, skal kunne modstå ekstreme fysiske forhold som eksempelvis temperaturer under -20°C.

Vende dørene

Fortsæt i numerisk rækkefølge.

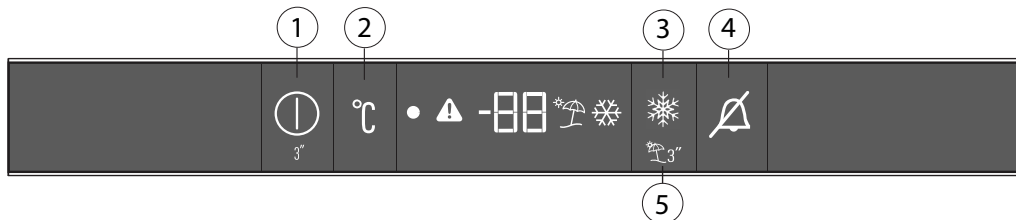


4 Forberedelse

- i** Køleskabet skal installeres mindst 30 cm væk fra varmekilder, som f.eks. kogeplader, ovne, radiatorer og brændeovne, og mindst 5 cm væk fra elektriske ovne, og det bør ikke placeres i direkte sollys.
- i** Den omgivende rumtemperatur bør være mindst 10°C. Betjening af køleskabet under køligere forhold end dette anbefales ikke med hensyn til apparatets ydeevne.
- i** Sørg for at rengøre køleskabet indvendigt meget grundigt.
- i** Hvis der skal installeres to køleskabe ved siden af hinanden, bør afstanden mellem dem være mindst 2 cm.
- i** Når du betjener køleskabet første gang, skal du være opmærksom på følgende i de første seks timer.
 - Lågen bør ikke åbnes ofte.
 - Det skal køre tomt uden nogen form for mad i det.
 - Tag ikke køleskabet ud af stikkontakten. Hvis der forekommer strømudfald uden for din kontrol, så læs advarslerne under afsnittet "Anbefalede løsninger på problemerne".
- i** Original indpakningsmateriale bør opbevares for fremtidig brug under transport eller flytning.

5 Betjening af produktet

Indikatorpanel



1. Til/fra-indikator

Tryk på tænd/sluk-knappen i tre sekunder for at tænde eller slukke køleskabet. (●) - symbolet lyser, når køleskabet er slukket. Alle andre symboler er slukket.

2. Køleskabsrummets temperatur indstillingsknap

Tryk på denne knap (°C) for at indstille køleskabsrummets temperatur til henholdsvis 8, 7, 6, 5, 4, 3, 2, 8... Tryk på denne knap for at indstille den ønskede temperatur for køleskabet.

3. Hurtig - køl - funktion

Knappen (☂) har to funktioner. Tryk kort på knappen for at slå hurtig-afkølingsfunktionen til eller fra. Indikatoren for hurtig-afkølingsfunktionen slukker, og køleskabet fungerer igen efter de normale indstillinger.

Brug hurtig-afkølingsfunktionen, når du hurtigt vil afkøle maden, der er placeret i køleskabet. Hvis du vil afkøle store mængder af ferskvarer, anbefales det, at du aktiverer denne funktion, inden de sættes i køleskabet.

Hvis du ikke slår den fra, afbryder hurtig-afkølingsfunktionen automatisk sig selv efter højst 1 time, eller når køleskabet når den ønskede temperatur. Denne funktion gemmes ikke efter strømsvigt.

4. Alarm fra

Når køleskabsdøren holdes åben i 1 minutter lyder en alarm. Alarmen kan slukkes ved at trykke på knappen "Alarm fra" (⚡). Hvis du lukker døren og åbner den igen, aktiveres "Dør åben"-alarmen igen efter 1 minutter. I tilfælde af sensorfejl, tændes advarselsikonet (⚠). Hvis knappen "Alarm off" trykkes, bliver advarslen "rengjort".

5. Feriefunktion

For at aktivere feriefunktionen skal du trykke på denne knap (☂3") i 3 sekunder, og indikatoren for feriefunktion (☂) bliver aktiveret. Når feriefunktionen er aktiveret, vil "--" blive vist i køleskabets temperaturindikator, og der udføres ingen aktiv køling i køleskabsrummet. Der bør ikke opbevares mad i køleskabet ved brug af denne funktion. For at annullere denne funktion skal du trykke på Feriefunktion-knappen igen.

Anvendelse af de indvendige rum

Flytbare hylder: Afstanden mellem hylderne kan justeres efter behov.

Grøntsagsskuffe: Grøntsager og frugt kan opbevares i denne afdeling i lange perioder uden at forråдне.

Flaskehylde: Flasker, krukker og dåser kan placeres på disse hylder.

Køling

Opbevaring af mad

Køleskabssektionen er beregnet til kortvarig opbevaring af friske mad- og drikkevarer.

Opbevar mælkeprodukter i den tilsigtede sektion i køleskabet.

Flasker kan opbevares i flaskeholderen eller i lågens flaskehylde.

Råt kød opbevares bedst i en plasticpose allernederst i køleskabet.

Lad varme mad- og drikkevarer afkøle i rumtemperatur, inden de sættes ind i køleskabet.

- Bemærk

Opbevar kun koncentreret alkohol opretstående og stramt lukket.

- Bemærk

Opbevar ikke ekspositive stoffer eller beholdere med brændbare drivgasser (flødeskum på dåse, spraydåser osv.) i køleskabet. Der er fare for eksplosion.

Afrimning

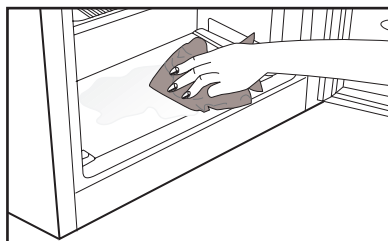
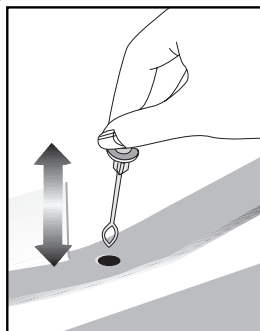
Køleskabsafdelingen afrimer automatisk.

Det optøede vand flyder gennem afløbskanalen ned i en opsamlingsbakke på apparatets bagside.

Under afrimningen dannes der mikroskopiske vanddråber bag på køleskabet som følge af fordampningen.

Hvis alle dråberne ikke løber ned, kan de fryse igen efter optøning. Fjern dem med en klud vredet op i varmt vand, men brug aldrig en hård eller skarp genstand.

Kontrollér fra tid til anden strømmen af optøet vand. Det kan blive tilstoppet en gang imellem.



6 Vedligeholdelse og rengøring

- ⚠ Brug aldrig benzin, benzen eller lignende stoffer til rengøring.
- ⚠ Vi anbefaler, at apparatet tages ud af stikkontakten inden rengøring.
- ⚠ Anvend aldrig skarpe, slibende redskaber, sæbe, rengøringsmidler, detergenter og pudsemidler med voks til rengøring.
- ℹ Vask køleskabskabinettet i lunken vand og tør det med en klud.
- ℹ Anvend en fugtig klud vredet op i en opløsning af én teskefuld natriumbikarbonat (tvekulsurt natron) til 1/2 liter vand til rengøring af indersiderne, og tør efter med en klud.
- ⚠ Sørg for, at ingen vand kommer i kontakt med lampen og andre elektriske dele.
- ⚠ Hvis køleskabet ikke skal benyttes i længere tid: Tag stikket ud, fjern alle madvarer, rengør det, og lad døren stå på klem.
- ℹ Kontroller gummilisterne jævnligt for sikre, at de er rene og fri for madpartikler.
- ℹ For at fjerne dørhylde tømme indholdet ud, hvorefter dørhylden ganske enkelt løftes op fra sin plads.

Beskyttelse af plastikoverflader

- ℹ Put ikke flydende olier eller olie-tilberedte måltider i køleskabet i åbne beholdere, da de ødelægger køleskabets plastikoverflader. Hvis der spildes eller smøres olie på plasticoverfladerne, skal den relevante del af overfladen renses og skylles med det samme med varmt vand.

7 Anbefalede løsninger på problemerne

Læs denne liste igennem, inden du ringer efter service. Det kan spare dig for tid og penge. Denne liste indeholder ofte forekommende reklamationer, der ikke opstår af defekt udførelse eller materialebrug. Det er muligt, at nogle af de her beskrevne funktioner ikke findes i dit produkt.

Køleskabet virker ikke.

- Er køleskabet sat rigtigt i stikkontakten? Sæt stikket i kontakten i væggen.
- Er sikringen, som køleskabet er tilsluttet, eller hovedsikringen sprunget? Kontrollér sikringen.

Kondens på siden af køleskabet (MULTIZONE, KØLEKONTROL og FLEXIZONE).

- Meget kolde omgivelser. Hyppig åbning og lukning af lågen. Højt fugtindhold i omgivelserne. Opbevaring af mad, der indeholder væske, i åbne beholdere. Lågen står på klem. Sæt termostaten på koldere grader.
- Reducér tiden, hvor lågen står åben, eller brug den mindre ofte.
- Dæk maden, der opbevares i åbne beholdere, til med passende materiale.
- Tør kondensvandet af vha. en tør klud og kontroller, om det vedvarer.

Kompressoren kører ikke.

- Beskyttelsestermo fra kompressoren vil blæse ud under pludselig strømudfald eller tilkoblinger/afkoblinger, da kølemiddeltrykket i køleskabets kølesystem ikke er bragt i balance endnu. Køleskabet vil starte med at køre efter ca. 6 minutter. Ring efter service, hvis køleskabet ikke starter efter denne periode.
- Køleskabet er ved at afrime. Dette er normalt for et køleskab med fuldautomatisk afrimning. Afrimning foregår med jævne mellemrum.
- Køleskabsstikket er ikke sat i kontakten. Sørg for, at stikket er sat ordentligt i kontakten.
- Er temperaturindstillingerne foretaget rigtigt?
- Strømmen kan være afbrudt.

Køleskabet kører ofte eller i lang tid.

- Det nye køleskab kan være bredere end det foregående. Dette er helt normalt. Store køleskabe arbejder i længere perioder.
- Den omgivende rumtemperatur kan være høj. Dette er helt normalt.
- Køleskabet kan have været sat til for nylig eller have været fyldt op med mad. Komplet nedkøling af køleskabet kan vare et par timer længere.
- Store mængder varm mad kan være blevet sat ind i køleskabet fornylig. Varm mad medfører, at køleskabet skal køre i længere tid, indtil maden når den ønskede temperatur.
- Lågerne kan have været åbnet jævnligt eller have stået på klem i lang tid. Den varme luft, der er kommet ind i køleskabet, får køleskabet til at køre i længere perioder. Undlad at åbne lågen så ofte.
- Fryserens eller køleskabets dør kan have stået på klem. Kontrollér om lågerne er lukket tæt.
- Køleskabet er indstillet meget koldt. Indstil køleskabstemperaturen højere, indtil temperaturen er tilpas.
- Køleskabets eller fryserens lågepakning kan være snavset, slidt, ødelagt eller ikke sat ordentligt på. Rengør eller udskift pakningen. Beskadiget/knækket pakning forårsager, at køleskabet kører i længere perioder for at vedligeholde den aktuelle temperatur.

Frysertemperaturen er meget lav, mens køleskabstemperaturen er tilpas.

- Frysertemperaturen er indstillet meget koldt. Justér frysertemperaturen varmere og kontrollér.

Køleskabstemperaturen er meget lav, mens frysertemperaturen er tilpas.

- Køleskabstemperaturen er indstillet til en meget lav temperatur. Justér køleskabstemperaturen varmere og kontrollér.

Mad, der opbevares i køleskabet, fryser.

- Køleskabstemperaturen er indstillet til en meget lav temperatur. Justér køleskabstemperaturen varmere og kontrollér.

Temperaturen i køleskab eller fryser er meget høj.

- Køleskabstemperaturen er indstillet til en meget lav temperatur. Køleskabsindstillingen har virkning på fryserens temperatur. Skift køleskabets eller fryserens temperatur, indtil køleskabs- eller frysertemperatur når et tilpas niveau.
- Lågerne kan have været åbnet jævnligt eller have stået på klem i lang tid.
- Døren kan have stået på klem, luk døren helt.
- Store mængder varm mad kan være blevet sat ind i køleskabet fornylig. Vent til køleskabet eller fryseren når den ønskede temperatur.
- Køleskabet kan være taget ud af kontakten fornylig. Komplet nedkøling af køleskabet tager tid.

Funktionslyden øges, når køleskabet kører.
<ul style="list-style-type: none"> Egenskaberne for køleskabets driftsydelse kan ændre sig alt efter ændringerne i den omgivende temperatur. Det er normalt og ikke en fejl.
Vibrationer eller støj.
<ul style="list-style-type: none"> Gulvet er ikke lige, eller det er svagt. Køleskabet vipper, når det flyttes langsomt. Sørg for, at gulvet er lige, stærkt og kapabelt til at bære køleskabet. Støjen kan være forårsaget af de genstande, der er lagt i køleskabet. Ting oven på køleskabet skal fjernes.
Der er støj som væske, der løber over eller sprøjter.
<ul style="list-style-type: none"> Væske- og gasstrømning sker i henhold til køleskabets driftsprincipper. Det er normalt og ikke en fejl.
Der er en støj som en vind, der blæser.
<ul style="list-style-type: none"> Ventilatorer bruges til at køle køleskabet. Det er normalt og ikke en fejl.
Kondensvand på køleskabets indervægge.
<ul style="list-style-type: none"> Varmt og fugtigt vejr øger isdannelse og udsvedning. Det er normalt og ikke en fejl. Dørene kan have stået på klem, sørg for de er helt lukkede. Lågerne kan have været åbnet jævnlige eller have stået på klem i lang tid.
Der opstår fugt på ydersiden af køleskabet eller mellem lågerne.
<ul style="list-style-type: none"> Der kan være fugtighed i luften hvilket er normalt i fugtigt vejr. Når fugtigheden er mindre, vil kondensen forsvinde.
Dårlig lugt inde i køleskabet.
<ul style="list-style-type: none"> Køleskabets skal rengøres indvendigt. Rengør køleskabet indvendigt med en svamp, varmt vand eller kulstofholdigt vand. Nogle beholdere eller emballeringsmaterialer kan forårsage lugten. Brug en anden beholder eller et andet mærke indpakningsmateriale.
Døren lukker ikke.
<ul style="list-style-type: none"> Madbeholdere forhindrer lågen i at lukke. Omplacér pakkerne, der blokerer lågen. Køleskabet står ikke helt lodret på gulvet og vipper når det flyttes lidt. Justér højdeskruerne. Gulvet er ikke lige eller stærkt. Sørg for, at gulvet er lige, stærkt og kapabelt til at bære køleskabet.
Grøntsagsskuffer sidder fast.
<ul style="list-style-type: none"> Maden berører måske skuffens top. Omarrangér maden i skuffen.

Läs den här bruksanvisningen först!

Kära kund!

Vi hoppas att produkten, som har tillverkats på en modern anläggning och genomgått de allra noggrannaste kvalitetsprocesser, kommer att erbjuda effektiv service.


Vi rekommenderar därför att du läser igenom hela bruksanvisningen noggrant innan du använder den och att du förvarar den nära till hands för framtida referens.

Den här bruksanvisningen

- Hjälper dig använda enheten på ett snabbt och säkert sätt.
- Läs bruksanvisningen innan du installerar och använder produkten.
- Följ instruktionerna, speciellt säkerhetsanvisningarna.
- Förvara bruksanvisningen på en lättåtkomlig plats där du kan hämta den senare.
- Läs även övriga dokument som tillhandahålls tillsammans med produkten.
- Observera att den här bruksanvisningen även kan gälla för andra modeller.

Symboler och beskrivningar för dem

Den här bruksanvisningen innehåller följande symboler:

 Viktig information eller användbara tips.

 Varning för risker för liv och egendom.

 Varning för elektrisk spänning.

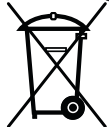


VARNING!

För att försäkra dig om en normal drift av din kylningsenhet, som använder ett miljövänligt kylmedel R600a (endast flambart under vissa förhållanden) måste du beakta följande regler:

- Förhindra inte att luften cirkulerar fritt runt enheten.
- Använd inte mekaniska enheter för att snabba på avfrostningsprocessen, förutom det som rekommenderas av tillverkaren.
- Skada inte kylningskretsen.
- Använd inte elektriska apparater inuti förvaringsfacket, förutom de som rekommenderas av tillverkaren.

Återvinning



Den här produkten är försedd med symbolen för källsortering av elektriskt och elektroniskt material (WEEE).

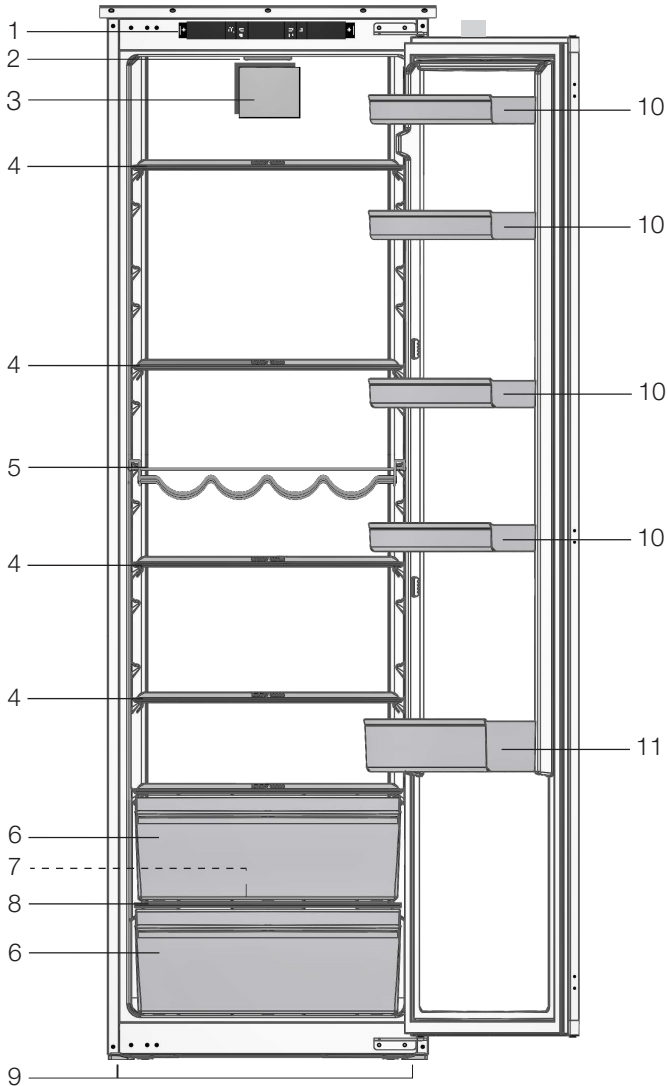
Detta innebär att produkten måste hanteras i enlighet med EU-direktivet 2002/96/EC för att återvinnas eller återanvändas och därmed minimera påverkan på miljön. För ytterligare information, kontakta din lokala kommun.

Elektroniska produkter som inte inkluderas i källsortering är potentiellt farliga för miljön och den personliga hälsan, på grund av farliga substanser.

INNEHÅLL

1 Kylskåpet	3	4 Förberedelse	10
2 Viktiga säkerhetsvarningar	4	5 Använda kylskåpet	11
Avsedd användning	4	Indikatorpanel	11
Allmän säkerhet	4	Använda de invändiga facken	12
För produkter med vattenbehållare; ...	6	Kylning	12
Barnsäkerhet	6	Avfrostning	12
HCA-Varning	6	6 Underhåll och rengöring	13
Saker att göra för att spara energi	6	Skydd av plastytor	13
3 Installation	7	7 Rekommenderade lösningar på problem	14
Saker att tänka på vid transport av kylskåpet	7		
Innan du använder kylskåpet	7		
Elektrisk anslutning	7		
Kassering av förpackningen	8		
Kassering av ditt gamla kylskåp	8		
Placering och installation	8		
Byte av innerbelysningens glödlampa	8		
Byte av dörrar	9		

1 Kylskåpet



- | | |
|------------------------|---------------------------|
| 1. Kontrollpanel | 7. Vattenbehållare |
| 2. Innerlampa | 8. Lock till grönsakslåda |
| 3. Fläkt för färsk mat | 9. Front fötter |
| 4. Flyttbara hyllor | 10. Justerbara dörrhyllor |
| 5. Vinställ | 11. Flaskstäl |
| 6. Grönsakslåda | |

i Bilder som förekommer i den här bruksanvisningen är exempel och överensstämmer inte exakt med din produkt. Om delar inte medföljer produkten du har köpt så gäller det för andra modeller.

2 Viktiga säkerhetsvarningar

Läs följande information. Om du underlåter att följa den här informationen kan det orsaka person- och materialskador. Annars blir alla garanti - och tillförlitlighetsåtaganden ogiltiga.

Avsedd användning

Den här produkten är avsedd för följande användning:

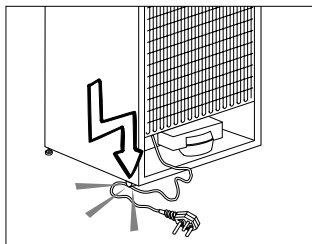
- inomhus och i stängda rum, exempelvis i hemmet;
- i stängda miljöer, såsom butiker och kontor;
- i stängda inkvarteringsområden, såsom bondgårdar, hotell, pensionat.
- Denna produkt ska inte användas utomhus.

Allmän säkerhet

- När du vill avyttra produkten rekommenderar vi att du rådgör med auktoriserad kundtjänst för att få den information som krävs, samt auktoriserade organ.
- Rådfråga auktoriserad service när det gäller alla frågor och problem som är relaterade till kylskåpet. Modifiera inte kylskåpet utan att meddela auktoriserad kundtjänst.
- För produkter med frysfack; Ät inte glass och iskuber direkt efter att du har tagit ut dem ur frysfacket! (Det kan leda till köldskador i munnen.)
- För produkter med frysfack; Placera inte flaskprodukter och konserverade drycker i frysfacket. De kan explodera.
- Rör inte vid fryst mat med händerna; de kan fastna.
- Koppla ur kylskåpet före rengöring och avfrostning.
- Lättflyktiga material skall aldrig användas vid avfrostning av kylskåpet. Det kan leda till att ångan kommer i kontakt med elektriska delar och orsaka kortslutning eller elektriska stötar.
- Använd aldrig delar på din produkt såsom en dörr som stöd eller trappsteg.
- Använd inte elektriska enheter inne i kylskåpet.
- Skada inte delarna med borr eller vassa verktyg, när kylskåpet cirkulerar. Kylmedlet som kan läcka ut om rör eller ytor punkteras kan orsaka hudirritation och ögonskador.
- Täck inte över eller blockera ventilationshålen på kylskåpet med något material.
- Elektriska enheter måste repareras av behöriga fackmän. Reparationer som utförs av personer utan rätt kunskap kan orsaka risk för användaren.
- Vid eventuella fel eller felfunktion under service eller reparationsarbete, skall du koppla ur strömkällan till kylskåpet genom att antingen vrida ur motsvarande säkring eller dra ur sladden.
- Drag inte i kabeln – drag i kontakten.
- Placera drycker i kylskåpet ordentligt stängda och upprätt.
- Förvara aldrig spraymedel som innehåller antändbara och explosiva ämnen i kylskåpet.
- Använd inte mekaniska enheter eller andra sätt för att snabba på avfrostningsprocessen, förutom det som rekommenderas av tillverkaren.

- Den här produkten är inte avsedd att användas av personer med nedsatt fysisk, psykisk eller mental förmåga eller oerfarna personer (inklusive barn) om de inte övervakas av en person som ansvarar för deras säkerhet eller instruerar dem i användningen av produkter.
- Använd inte ett skadat kylskåp. Kontakta serviceombudet om du har några frågor.
- Elsäkerheten för kylskåpet garanteras endast om jordningssystemet i huset uppfyller de krav som gäller.
- Det är farligt att utsätta produkten för regn, snö, sol och vind med tanke på elsäkerheten.
- Kontakta auktoriserad service om strömkabeln skadas för att undvika fara.
- Koppla aldrig in kylskåpet i vägguttaget under installationen. Det ökar risken för allvarig skada eller dödsfall.
- Det här kylskåpet är endast avsett för förvaring av livsmedel. Det får inte användas för något annat ändamål.
- Etiketten med tekniska specifikationer sitter på vänster insida i kylskåpet.
- Koppla aldrig in kylskåpet till energibesparande system; de kan skada kylskåpet.
- Om det finns en blå lampa på kylskåpet ska du inte titta in i den blå lampan med optiska verktyg.
- För manuellt kontrollerade kylskåp, vänta i minst 5 minuter för att starta kylskåpet efter strömavbrottet.
- Den här bruksanvisningen ska lämnas till den nya ägaren av produkten när den lämnas till andra.

- Undvik att orsaka skada på strömkabeln vid transport av kylskåpet. Om du böjer kabeln kan det orsaka brand. Placera aldrig tunga föremål på strömkabeln.



- Rör inte vid kontakten med våta händer när du kopplar in produkten.
- Anslut inte kylskåpet till ett eluttag som sitter löst.
- Vatten får av säkerhetsskäl inte sprayas direkt på de inre eller yttre delarna av produkten.
- Spraya inte ämnen som innehåller antändbara gaser, såsom propangas, nära kylskåpet för att undvika brand och explosionsrisk.
- Placera aldrig behållare som är fyllda med vatten på kylskåpet, eftersom det kan orsaka elektrisk kortslutning eller brand.
- Överbelasta inte kylskåpet med för stora mängder mat. Om det överbelastas kan mat falla ned och skada dig och kylskåpet när du öppnar dörren. Placera aldrig föremål på kylskåpet; annars kan de falla ned när du öppnar eller stänger kylskåpsdörren.
- Produkter som behöver en exakt temperaturkontroll (vaccin, värmekänslig medicin, vetenskapliga material etc.) får inte förvaras i kylan.
- Om kylskåpet inte används under en längre tid ska det kopplas från strömkällan. Ett möjligt problem i strömkabeln kan orsaka brand.

- Kontaktens stift ska rengöras regelbundet; annars kan det leda till brandrisk.
- Kontaktens stift ska rengöras regelbundet med en torr trasa; annars kan det leda till brandrisk.
- Kylskåpet kan flytta på sig om de justerbara benen inte sitter fast ordentligt i golvet. Om du förankrar de justerbara benen ordentligt i golvet kan det förhindra att kylskåpet flyttar på sig.
- När du bär på kylskåpet ska du inte hålla i dörrhandtaget. Annars kan det släppa.
- Om du har placerat produkten intill ett annat kylskåp eller en frys ska avståndet mellan enheterna vara minst 8 cm. Annars kan de angränsande väggarna bli fuktiga.

För produkter med vattenbehållare

Vattentrycket ska vara minst 1 bar.

Vattentrycket ska vara max 8 bar.

- Använd bara drickbart vatten.

Barnsäkerhet

- Om dörren har ett lås ska nyckeln hållas borta från barn.
- Barn ska övervakas för att hindra att de pillar på produkten.

HCA-Varning

Om produktens kylsystem innehåller R600a:

Den här gasen är lättantändlig. Var därför noggrann så att du inte skadar kylsystemet och rören under användning och transport. Om det skulle uppstå någon skada skall produkten hållas borta från potentiella eldkällor som kan göra att produkten fattar eld och du ska ventilera rummet där enheten är placerad.

Du kan bortse från den här varningen om produktens kylsystem innehåller R134a.

Typen av gas som används i produkten anges på märkplåten som sitter på kylskåpets vänstra insida.

Kasta aldrig produkten i eld när den ska kasseras.

Saker att göra för att spara energi

- Låt inte dörrarna till kylskåpet stå öppna under en längre tid.
- Placera inte varm mat eller varma drycker i kylskåpet.
- Överbelasta inte kylskåpet så att luftcirkulationen invändigt hindras.
- Installera inte kylskåpet i direkt solljus eller nära värmeavsöndrande enheter såsom ugn, diskmaskin eller element.
- Observera att mat ska förvaras i tillslutna behållare.
- Upptining av fryst mat i kylfacket sparar både energi och håller matens kvalitet.

3 Installation

⚠ Kom ihåg att tillverkaren inte skall hållas ansvarig om användaren underlåter att observerar något i den här bruksanvisningen.

Saker att tänka på vid transport av kylskåpet

1. Kylskåpet måste vara tomt och rent före transport.
2. Hyllor, tillbehör, grönsakslåda etc. i kylskåpet måste spännas fast ordentligt med självhäftande tejp före ompaketering.
3. Förpackningen måste fästas ihop med tjock tejp och starka rep och de transportregler som anges på förpackningen måste följas.

Glöm inte...

Varje återvunnet material är en ovärderlig källa för naturen och för våra nationella resurser.

Om du vill bidra till återvinningen av förpackningsmaterial kan du hämta ytterligare information från våra miljöorgan eller lokala myndigheter.

Innan du använder kylskåpet

Kontrollera följande innan du startar kylskåpet:

1. Är kylskåpets insida torr och kan luften cirkulera fritt bakom det?
2. Rengör kylskåpets insida enligt rekommendationerna i avsnittet "Underhåll och rengöring".

3. Koppla in kylskåpet i vägguttaget. När kylskåpsdörren öppnas kommer den invändiga belysningen att tändas.
4. Du kommer att höra ett bullrande ljud när kompressorn startar. Vätska och gas inne i produkten kan också ge upphov till ljud, även om kompressorn inte körs och detta är helt normalt.
5. De främre kanterna på kylskåpet kan kännas varma. Detta är normalt. De här områdena är utformade för att bli varma och därmed undvika kondens

Elektrisk anslutning

Anslut produkten till ett jordat uttag som skyddas av en säkring med lämplig kapacitet.

Viktigt:

- Anslutningen måste ske i enlighet med nationell lagstiftning.
 - Strömkabelns kontakt måste vara lätt att komma åt efter installationen.
 - Den angivna spänningen måste överensstämma med strömkällans spänning.
 - Förlängningskablar och grenkontakter får inte användas för anslutningen.
- ⚠ En skadad strömkabel måste bytas av en behörig elektriker.
- ⚠ Produkten får inte användas innan den reparerats! Det finns risk för kortslutning!

Kassering av förpackningen

Förpackningsmaterial kan vara farligt för barn. Förvara förpackningsmaterialen utom räckhåll för barn eller kassera dem i enlighet med gällande avfallsregler. Kassera dem inte med hushållsavfallet.

Förpackningsmaterialet för ditt kylskåp produceras av återvinningsbara material.

Kassering av ditt gamla kylskåp

Kassera ditt gamla kylskåp utan att skada miljön.

- Du kan kontakta en auktoriserad återförsäljare eller ett återvinningscenter angående avyttring av ditt kylskåp.
- Innan du kasserar kylskåpet ska du dra ur strömkontakten och, om det finns några lås på dörren, göra dem obrukbara för att förhindra att barn skadar sig.

Placering och installation

⚠ Om entrén till rummet där kylskåpet skall installeras är inte bred nog för att kylskåpet skall kunna passera skall du ringa till auktoriserad fackman så att de avlägsnar dörrarna på kylskåpet och tar in det i sidled genom dörren.

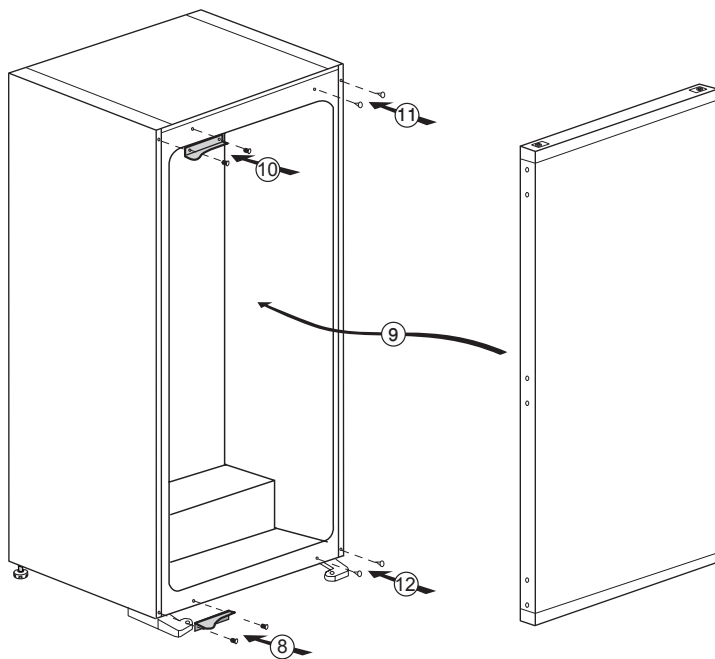
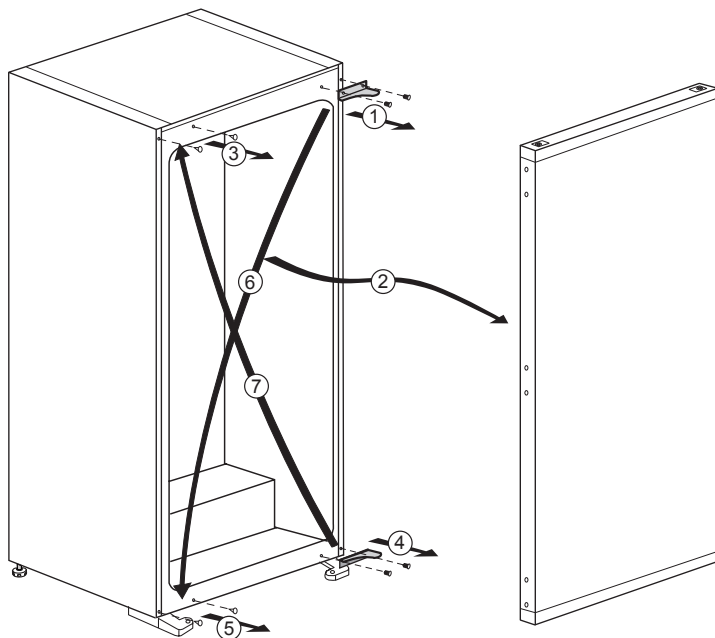
1. Installera kylskåpet på en plats där det är lättåtkomligt.
2. Håll kylskåpet borta från värmekällor, fuktiga platser och direkt solljus.
3. Det måste finnas tillräcklig ventilation runt kylskåpet för att uppnå effektiv användning. Om kylskåpet placeras i en hållighet i väggen måste det vara ett avstånd på minst 5 cm till taket och 5 cm till väggen. Om golvet täcks med en matta måste produkten ha ett mellanrum på 2,5 cm till golvet
4. Placera kylskåpet på en jämn och plan golvyta för att förhindra lutningar.
5. Låt inte kylskåpet stå i en omgivande temperatur som understiger 10°C.

Byte av innerbelysningens glödlampa

Ring auktoriserad service när du vill byta lampa. Lamporna som används i utrustningen är inte anpassade som rumsbelysning. Det avsedda ändamålet för lamporna är att hjälpa användaren placera mat i kylskåpet/frysen på ett säkert och bekvämt sätt. Lamporna i apparaten måste kunna tåla extrema fysiska förhållanden såsom temperaturer under -20°C.

Byte av dörrar

Gå tillväga i nummerordning.

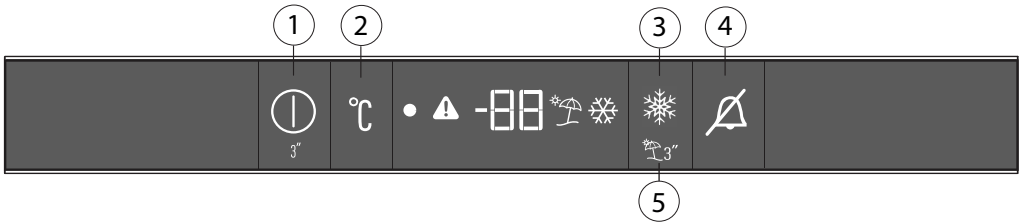


4 Förberedelse

- i** Kylskåpet skall installeras minst 30 cm från värmekällor, såsom spis, ugn och centralvärme och minst 5 cm från elektriska ugnar och får inte placeras i direkt solljus.
- i** Den omgivande temperaturen i rummet där du installerar kylskåpet skall vara minst 10°C. Användning i kallare miljöer rekommenderas inte och kan minska effektiviteten.
- i** Se till att kylskåpet är ordentligt rengjort invändigt.
- i** Om två kylskåp skall installeras intill varandra skall det vara ett avstånd på minst 2 cm mellan dem.
- i** Vid användning av kylskåpet för första gången skall du observera följande anvisningar under de första sex timmarna.
 - Dörren får inte öppnas för ofta.
 - Det måste köras tomt utan mat.
 - Dra inte ur sladden till kylskåpet.Om det inträffar ett strömavbrott som ligger utanför din kontroll, se varningarna i avsnittet "Rekommenderade lösningar på problem".
- i** Originalförpackning och skumplastmaterial skall sparas för framtida transport.

5 Använda kylskåpet

Indikatorpanel



1. På-/av-indikator

Tryck på knappen På/Av i 3 sekunder för att stänga av eller sätta på kylan. När kylan är av är ● - symbolen tänd. Alla andra symboler är avstängda.

2. Kylfackstemperatur inställningsknapp

Tryck på den här knappen (°C) för att ställa in temperaturen för kylfacket till 8, 7, 6, 5, 4, 3, 2 respektive 8... Tryck på den här knappen för att ställa in önskad temperatur för kylfacket.

3. Snabbkylningsfunktion

Knappen (☼) har två funktioner. Tryck snabbt på knappen för att aktivera eller inaktivera funktionen Snabbkylning. Snabbkylningsindikatorn slås av och återgår till normala inställningar.

Använd snabbkylningsfunktionen när du snabbt vill kyla maten som placerats i kylfacket. Om du vill kyl ned stora mängder färsk mat rekommenderar vi att du aktiverar den här funktionen innan du placerar maten i produkten.

Om du inte avbryter den stängs snabbkylningen av automatiskt efter högst 1 timme eller när kylskåpsfacket uppnår önskad temperatur. Den här funktionen återställs inte när strömmen slås på efter ett strömavbrott.

4. Alarm av-varning

När kylskåpsdörren är öppen i 1 minuter slås ljudalarmet på. Alarmet kan stängas av genom att trycka på knappen "Alarm av" (🔔). Om du stänger dörren och sedan öppnar den igen aktiveras "Alarm för öppen dörr" igen 1 minuter senare. Vid fel på sensorn tänds varningsikonen (⚠️). Om knappen "Alarm av" trycks in, kommer varningen att "rengöras".

5. Semesterfunktion

Tryck på knappen (☼3) i 3 sekunder för att aktivera semesterfunktionen (☼). Om semesterfunktionen är aktiv visas "- -" på temperaturindikatorn på kylfacket och ingen aktiv kylning utförs i kylfacket. Det är inte lämpligt att förvara maten i kylfacket när den här funktionen är aktiverad. Tryck på semesterfunktionsknappen igen för att avbryta funktionen.

Använda de invändiga facken

Flyttbara hyllor: Avståndet mellan hyllplanen kan justeras vid behov.

Grönsakslåda: Grönsaker och frukt kan lagras i det här facket under längre perioder utan att förstöras.

Flaskställ: Flaskor och burkar kan placeras på de här fyllorna.

Kylning

Mattförvaring

Kylen är till för kortvarig förvaring av färsk mat och dryck.

Förvara mjölkprodukter på avsedd hylla i kylskåpet.

Flaskor kan förvaras i flaskhållaren eller på flaskyllan i dörren.

Rått kött förvaras bäst i en plastpåse på hyllan i kylskåpets nedersta del.

Låt varm mat och varma drycker svalna till rumstemperatur innan de placeras i kylskåpet.

- Observera

Förvara koncentrerad alkohol i upprätt position i tätt försluten behållare.

- Observera

Förvara inte explosiva ämnen eller behållare med lättantändliga drivmedel (grädde i sprayform, sprayburkar etc.) i enheten. Detta kan orsaka explosion.

Avfrostning

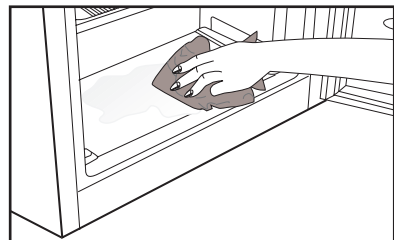
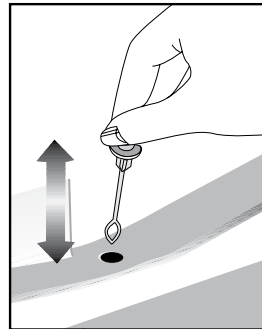
Kylen avfrostas automatiskt.

Avfrostningsvattnet rinner till dräneringsröret via en uppsamlingsbehållare på enhetens baksida.

Under avfrostning formas droppar på baksidan av frysen p.g.a. avdunstningsapparaten.

Om inte alla droppar rinner ner, kan de frysa på nytt efter avfrostning. Avlägsna dessa med en varm, fuktig trasa, men aldrig med ett hårt eller vasst föremål.

Kontrollera flödet med tinat vatten då och då. Det kan ibland täppas till.



6 Underhåll och rengöring

- ⚠ Använd aldrig bensen, bensin eller liknande ämnen för rengöring.
- ⚠ Vi rekommenderar att du kopplar ur utrustningen före rengöring.
- ⚠ Använd aldrig vassa instrument eller slipande medel, tvål, rengöringsmedel, tvättmedel eller polish för rengöring.
- ℹ Använd ljummet vatten för rengöring av enhetens skåp och torka det torrt.
- ℹ Använd en fuktig trasa urvriden i en lösning av en tesked bikarbonatsoda till en halv liter vatten, torka ur interiören och torka sedan torrt.
- ⚠ Se till att inget vatten tränger in i lampkåpan och i andra elektriska tillbehör.
- ⚠ Om enheten inte kommer att användas under en längre tid, stäng då av den, plocka ur all mat, rengör den och lämna dörren på glänt.
- ℹ Kontrollera dörrens tätningslist regelbundet så att den är ren och fri från matrester.
- ⚠ För att ta bort ett dörrfack tar du först ur allt innehåll och trycker sedan enkelt upp det från sitt fäste.

Skydd av plastytor

- ℹ Förvara inte rinnande olja eller mat som har tillagats i olja utan att vara tillslutna i kylskåpet, eftersom det kan skada kylskåpets plastytor. Om du spiller olja på plasten, rengör och skölj ytan direkt med varmvatten.

7 Rekommenderade lösningar på problem

Titta igenom listan innan du tillkallar service. Det kan spara både tid och pengar. Den här listan inkluderar vanliga klagomål som inte uppstår till följd av defekter i tillverkningen eller materialanvändningen. Vissa av funktionerna som beskrivs här kanske inte finns på din produkt.

Kylen fungerar inte.

- Är kylskåpet korrekt inkopplat? Sätt i vägguttaget.
- Har säkringen som är ansluten till kylskåpet gått? Kontrollera säkringen.

Kondens på kylskåpets sidoväggar (MULTIZON, KYLKONTROLL och FLEXIZON).

- Mycket kalla omgivande förhållanden. Dörren öppnas och stängs ofta. Hög luftfuktighet i den omgivande luften. Lagring av mat med vätska i öppna behållare. Dörren har lämnats öppen. Vrid termostaten till ett kallare läge.
- Minska tiden som dörren lämnas öppen eller öppna inte så ofta.
- Täck över mat som lagras i öppna behållare med ett lämpligt material.
- Torka av kondens med en torr trasa och kontrollera om den kvarstår.

Kompressorn går inte.

- Det termiska skyddet i kompressorn kommer att lösas ut vid plötsliga strömbrott då kylskåpets tryck i kylsystemet inte har balanserats. Ditt kylskåp startar efter omkring 6 minuter. Tillkalla service om kylskåpet inte startar i slutet av den här perioden.
- Frysens är i avfrostningsläge. Det här är normalt för en helautomatiskt avfrostande kyl. Avfrostningscykeln inträffar regelbundet.
- Kylskåpet är inte inkopplat i strömkällan. Kontrollera att kontakten sitter ordentligt i uttaget.
- Är temperaturinställningen korrekt?
- Strömmen kan kapas.

Kylskåpet körs ofta eller under en längre tid.

- Din nya produkt kan vara bredare än det gamla. Detta är helt normalt. Stora kylskåp arbetar under en längre tidsperiod.
- Den omgivande rumstemperaturen kan vara hög. Detta är helt normalt.
- Kylskåpet kan ha varit inkopplat nyligen eller ha fyllts på med mat. Det kan ta flera timmar innan kylskåpet har kylts ned helt.
- Stora mängder mat kanske har placerats i kylskåpet nyligen. Varm mat gör att kylskåpet arbetar längre för att uppnå önskad temperatur.
- Dörren kanske har öppnats ofta eller lämnats öppen under en längre tid. Den varma luften som har kommit in i kylskåpet gör att kylskåpet arbetar under längre perioder. Öppna inte dörrarna så ofta.
- Frysens eller kylfackets dörr kanske har lämnats öppen. Kontrollera om dörren är ordentligt stängd.
- Kylskåpet är inställt på en mycket kall nivå. Justera kylskåpstemperaturen till en högre nivå tills temperaturen är enligt önskemål.
- Dörrens tätning på kyl eller frys kan vara sliten, smutsig eller trasig. Rengör eller byt tätningen. Skadade tätningar kan göra att kylskåpet körs under en längre tid för att bibehålla den aktuella temperaturen.

Frystemperaturen är mycket låg när kyltemperaturen är normal.

- Frysens temperatur är inställd på en mycket kall nivå. Justera frystemperaturen till en högre nivå och kontrollera.

Kyltemperaturen är mycket låg när frystemperaturen är normal.

- Kylens temperatur kanske är inställd på en mycket låg temperatur. Justera kyltemperaturen till en högre nivå.

Mat som förvaras i kylskåpsfacken fryser.

- Kylens temperatur kanske är inställd på en mycket låg temperatur. Justera kyltemperaturen till en högre nivå.

Temperaturen i kylan eller frysen är mycket hög.

- Kylens temperatur kanske är inställd på en mycket hög temperatur. Kylinställningen påverkar frysens temperatur. Sänk temperaturen för kyl eller frys tills den ligger på acceptabel nivå.
- Dörren kanske har öppnats ofta eller lämnats öppen under en längre tid.
- Kylskåpsdörren kan ha lämnats öppen; stäng dörren direkt.
- Stora mängder mat kanske har placerats i kylskåpet nyligen. Vänta tills kylan eller frysen uppnår önskad temperatur.
- Kylskåpet kanske nyligen har kopplats in. Nedkylningen kan ta tid.

Kylskåpet dånar när det går.
<ul style="list-style-type: none"> Egenskaperna hos kylskåpet kan ändras enligt den omgivande temperaturen. Detta är normalt och inte något fel.
Vibrationer eller felbalans.
<ul style="list-style-type: none"> Golvet är ojämnt eller svagt. Kylskåpet skakar när det rör sig långsamt. Säkerställ att golvet är rakt, kraftigt och att det klarar tyngden från kylskåpet. Ljudet kan orsakas av saker som ligger ovanpå kylan. Föremål på kylskåpet ska tas bort.
Det förekommer ljud från kylskåpet som låter som dropp eller sprutning.
<ul style="list-style-type: none"> Vätske- och gasflöden sker i enlighet med användningsprinciperna för ditt kylskåp. Detta är normalt och inte något fel.
Det förekommer ljud som låter som vind.
<ul style="list-style-type: none"> Fläktar används för att kyla ned kylskåpet. Detta är normalt och inte något fel.
Kondens på innerväggarna i kylskåpet.
<ul style="list-style-type: none"> Varmt och fuktigt väder ökar isbildning och kondens. Detta är normalt och inte något fel. Dörrarna kan ha lämnats öppna; se till att stänga dörrarna ordentligt. Dörren kanske har öppnats ofta eller lämnats öppen under en längre tid.
Fukt bildas på kylskåpets utsida eller mellan dörrarna.
<ul style="list-style-type: none"> Det kan finnas fukt i luften; detta är normalt vid fuktig väderlek. När fuktnivån är lägre försvinner kondensen.
Dålig lukt inne i kylan.
<ul style="list-style-type: none"> Kylskåpets insida måste rengöras. Rengör kylskåpets insida med en svamp och varmt vatten. Vissa behållare eller förpackningsmaterial kan orsaka lukt. Använd en annan behållare eller olika förpackningsmaterial.
Dörren stängs inte.
<ul style="list-style-type: none"> Matpaket kan vara i vägen. Byt ut förpackningarna som ligger ivägen för dörren. Kylskåpet står inte helt rakt på golvet och svajar lätt när det förflyttas. Justera lyftskruvarna. Golvet är inte helt plant eller tillräckligt starkt. Säkerställ att golvet är rakt, kraftigt och att det klarar tyngden från kylskåpet.
Grönsaker fastnar.
<ul style="list-style-type: none"> Maten kanske vidrör taket i lådan. Sortera om maten i facket.

Vennligst les denne veiledningen først!

Kjære kunde,

Vi håper at produktet ditt, som er produsert ved moderne fabrikker og som har gått igjennom strenge kvalitetskontrollprosedyrer, fullt ut vil dekke dine behov.




Derfor ber vi deg lese nøye gjennom denne veiledningen før du bruker produktet, og beholde denne for fremtidig bruk.

Bruksanvisningen

- Vil hjelpe deg til å bruke apparatet på en hurtig og sikker måte.
- Vennligst les bruksanvisningen før du installerer og bruker produktet.
- Følg instruksjonene, spesielt de som angår sikkerheten.
- Hold veiledningen lett tilgjengelig, siden du kan ha behov for den senere.
- Les også de andre dokumentene som ble levert sammen med produktet.
- Vennligst merk at denne bruksanvisningen kan gjelde for flere andre modeller.

Symboler og beskrivelser av disse

Denne veiledningen inneholder følgende symboler:

-  Viktig informasjon eller nyttige tips om bruk.
-  Advarsel om farlige omstendigheter for liv og eiendom.
-  Advarsel om elektrisk spenning.



ADVARSEL!

For å sikre normal drift av kjøleapparatet, som bruker den miljøvennlige kjølevæskens R600a (brennbar bare under spesielle vilkår), må du følge disse reglene:

- Det må alltid være fri sirkulasjon av luft rundt apparatet.
- Bruk ikke andre mekaniske gjenstander for å gjøre avisingen raskere enn dem som anbefales av produsenten.
- Ødelegg ikke kjølekretsen.
- Bruk ikke andre elektriske apparater inne i apparatet enn dem som eventuelt anbefales av produsenten.

Resirkulering



Dette produktet har utvalgt sorteringssymbol for avfall elektrisk og elektronisk utstyr (WEEE).

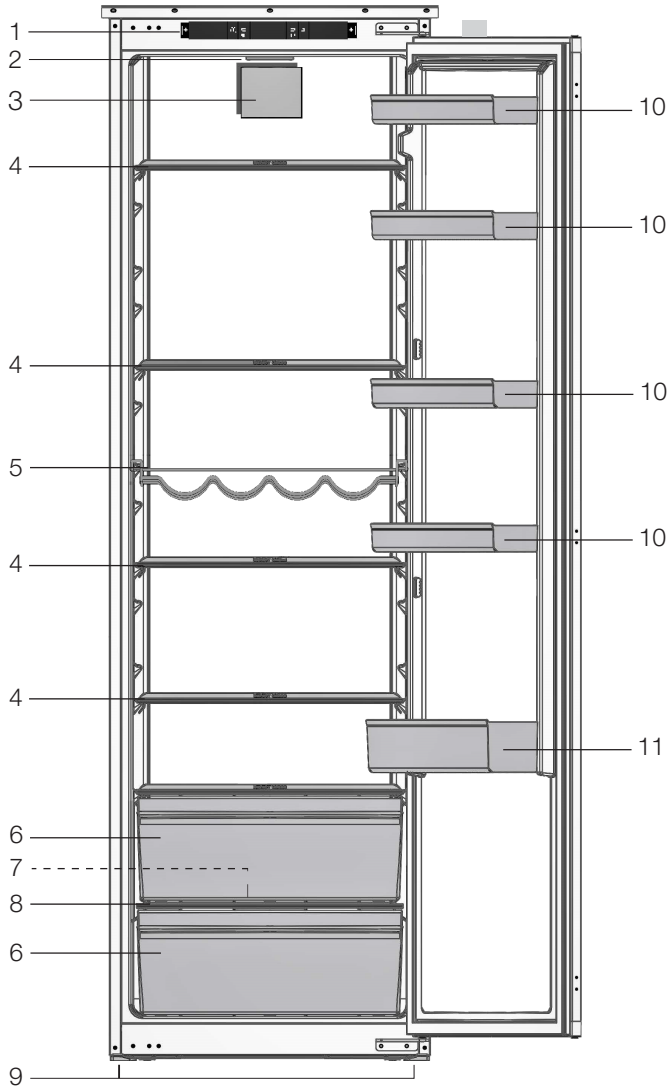
Dette betyr at dette produktet må håndteres etter EU-direktivet 2002/96/EC for å resirkuleres eller demonteres for å redusere virkningen på miljøet. For ytterligere informasjon, vennligst ta kontakt med lokale eller regionale myndigheter.

Elektroniske produkter som ikke er inkludert i utvalgt sorteringsprosess er potensielt farlige for miljøet og menneskers helse pga. tilstedeværelse av farlige substanser.

INNHOOLD

1 Kjøleskapet	3	4 Forberedelse	10
2 Viktige sikkerhetsadvarsler	4	5 Bruke kjøleskapet	11
Beregnet bruk.....	4	Indikatorpanel	11
Generell sikkerhet	4	Bruke de indre oppbevaringsdelene...	12
For produkter med en vandispenser....	6	Nedkjøling	12
Barnesikring	6	Tining	12
HCA-advarsel	6	6 Vedlikehold og rengjøring	13
Hva du må gjøre for å spare energi....	6	Beskyttelse av plastoverflater	13
3 Montering	7	7 Anbefalte løsninger på problemer	14
Punkter som er viktige ved ytterligere transportering av kjøleskapet	7		
Før du bruker kjøleskapet	7		
Elektrisk tilkobling	7		
Avfallshåndtering av emballasje.....	8		
Avfallshåndtering av det gamle kjøleskapet	8		
Plassering og montering	8		
Utskifting av lyspæren inne i skapet ...	8		
Omhengsling av dørene.....	9		

1 Kjøleskapet



- | | |
|----------------------|--|
| 1. Kontrollpanel | 7. Smeltevanns oppsamlings kanal - avløpsrør |
| 2. Innvendig lys | 8. Grønnsaksskufflokk |
| 3. Fersk Mat Vifte | 9. Frambein |
| 4. Justerbare hyller | 10. Justerbare hyller i døren |
| 5. Vinstativ | 11. Flaskehylle |
| 6. Grønnsaksskuff | |

i Illustrasjonene i denne veiledningen er skjematiske og kan derfor være litt forskjellige fra ditt produkt. Hvis noen deler ikke medfølger produktet du har kjøpt, gjelder den for andre modeller.

2 Viktige sikkerhetsadvarsler

Vennligst les følgende informasjon. Hvis denne informasjonen ikke overholdes, kan det forårsake personskader eller materielle skader. Videre vil garanti og pålitelighetsforpliktelser regnes ugyldige.

Beregnet bruk

Dette produktet er beregnet til bruk:

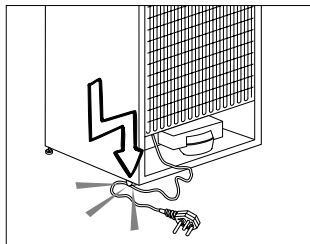
- Innendørs og på lukkede områder, slik som hjem.
- I lukkede arbeidsmiljøer, slik som butikker og kontorer.
- I lukkede husområder, slik som gårder, hoteller, pensjonater.
- Dette produktet skal ikke brukes utendørs.

Generell sikkerhet

- Når du ønsker å kaste/skrote produktet, anbefaler vi at du forhører deg med noen som er autorisert, slik at du får den nødvendige informasjonen og får rådført deg med autoriserte etater.
- Forhør deg med autoriserte personer ved spørsmål og problemer relatert til kjøleskapet. Ikke foreta endringer eller la noen andre foreta endringer på kjøleskapet uten å varsle noen som er autorisert.
- For produkter med fryserdel: Ikke spis is krem med kjeks eller isbiter like etter at du har tatt dem ut av fryseren! (Dette kan forårsake frostbitt i munnen.)
- For produkter med fryserdel: Ikke putt drikkevarer på flaske eller bokser i fryseren. Det kan føre til at de sprekker.
- Ikke rør frossen mat med hendene, da disse kan feste seg til hånden.
- Trekk ut støpselet før rengjøring eller avising.
- Damp og damprengjøringsmidler skal aldri brukes i rengjørings- og avtiningsprosesser for kjøleskapet. I slike tilfeller kan dampen komme i kontakt med de elektriske delene og forårsake kortslutning eller elektrisk sjokk.
- Bruk aldri delene på kjøleskapet, slik som døren, som støtte eller trinn.
- Ikke bruk elektriske innretninger på innsiden av kjøleskapet.
- Ikke ødelegg delene der kjølevæsken sirkulerer med drill eller kutteverktøy. Kjølevæsken som kan strømme ut når gasskanaler til fordampere, rørførelser eller overflatebelegg punkteres, kan forårsake hudirritasjon og øyeskader.
- Ikke dekk til eller blokker ventilasjonsåpningene på kjøleskapet med noe materiale.
- Elektriske enheter må kun repareres av autoriserte personer. Reparasjoner som utføres av person som ikke er kompetente, kan forårsake fare for brukeren.
- I tilfelle feil under vedlikehold eller reparasjonsarbeid, kople fra kjøleskapets strømforsyning ved å slå av tilhørende sikring eller trekke ut støpselet.
- Ikke dra i selve ledningen når du trekker ut støpslet.
- Plasser drikkebeholdere godt lukket og stående.
- Lagre aldri spraybokser som inneholder antennelig og eksplosive stoffer i kjøleskapet.
- Ikke bruk mekanisk utstyr eller andre midler for å akselerere avisingprosessen annet enn slikt utstyr som produsenten anbefaler.

- Dette produktet bør ikke brukes av personer med fysiske, sensoriske eller mentale forstyrrelser, eller personer som ikke er opplært eller ikke har noen erfaring (inkludert barn), med mindre de holdes under oppsyn av noen som er ansvarlige for deres sikkerhet, eller som kan vise dem hvordan produktet skal brukes.
- Ikke bruk et ødelagt kjøleskap. Forhør deg med et serviceverksted hvis du har spørsmål.
- Den elektrisk sikkerheten til kjøleskapet kan kun garanteres hvis jordingen i hjemmet oppfyller standardene.
- Det er farlig å utsette produktet for regn, snø, sol og vind pga. elektrisk sikkerhet.
- Ta kontakt med noen som er autorisert hvis en strømkabel skades, slik at du unngår fare.
- Plugg aldri kjøleskapet inn i vegguttaket under monteringen. Dette kan medføre død eller alvorlig skade.
- Dette kjøleskapet er kun beregnet til oppbevaring av mat. Det skal ikke brukes til noen andre formål.
- Merket med tekniske spesifikasjoner befinner seg på venstre side inne i kjøleskapet.
- Koble aldri kjøleskapet til strømsparesystemer, de kan skade kjøleskapet.
- Hvis det finnes et blått lys på kjøleskapet, ikke se på det blå lyset med optiske verktøy.
- For kjøleskap som styres manuelt vent i minst 5 minutter før du slår på kjøleskapet etter et strømbrydd.
- Denne brukerhåndboken skal overleveres til neste eier av produktet hvis det skifter eier.

- Unngå å skade strømkabelen ved transport av kjøleskapet. Bøying av kabelen kan forårsake brann. Plasser aldri tunge gjenstander på strømedningen.



- Ikke berør støpsetet med våte hender når du kobler til produktet.
- Ikke koble til kjøleskapet hvis vegguttaket er løst.
- Ikke sprut vann direkte på de ytre eller indre delene av produktet av sikkerhetsmessige grunner.
- Ikke spray stoffer som inneholder antennelige gasser, slik som propangass i nærheten av kjøleskapet for å unngå brann- og eksplosjonsfare.
- Ikke plasser gjenstander som er fylt med vann oppå kjøleskapet, da det kan føre til elektrisk støt eller brann.
- Ikke overbelast kjøleskapet med for mye mat. Hvis det overlastes, kan maten falle ned og skade deg og kjøleskapet når du åpner døren. Ikke plasser gjenstander oppe på kjøleskapet, da disse kan falle ned når du åpner eller lukker kjøleskapsdøren.
- Produkter som trenger en nøyaktig temperaturkontroll (vaksiner, varmesensitive medisiner, forskningsmaterialer osv.), skal ikke oppbevares i kjøleskapet.
- Hvis det ikke skal brukes på lang tid, skal kjøleskapet kobles fra strømuttaket. Et problem i den elektriske kabelen kan føre til brann.
- Tuppen på den elektriske pluggen skal rengjøres regelmessig, ellers kan det oppstå brann.

- Tuppen på pluggen skal rengjøres regelmessig med en tørr klut, ellers kan det oppstå brann.
- Kjøleskapet kan flytte seg hvis de justerbare beina ikke er riktig sikret på gulvet. Riktig sikring av justerbare bein på gulvet kan forhindre at kjøleskapet flytter seg.
- Når du bærer kjøleskapet, ikke hold det etter dørhåndtaket. Da kan det knekke av.
- Hvis du må plassere produktet ved siden av et annet kjøleskap eller fryser, skal avstanden mellom enheten være minst 8 cm. Ellers kan sideveggene som grenser til hverandre bli fuktige.

For produkter med en vanddispenser

Vanstrykket skal være minst 1 bar.

Vanstrykket skal være maks. 8 bar.

- Bruk kun drikkevann.

Barnesikring

- Hvis du har en lås på døren, skal nøkkelen oppbevares utilgjengelig for barn.
- Barn må passes på slik at de ikke tukler med produktet.

HCA-advarsel

Hvis produktets kjølesystem inneholder R600a:

Denne gassen er brennbar. Derfor vær forsiktig så kjølesystemet og rørene ikke ødelegges under bruk og transport. For å unngå skader skal produktet holdes på avstand fra potensielle brannkilder som kan forårsake at produktet begynner å brenne, sørg også for god ventilasjon i rommet der apparatet er plassert.

Ignorer denne advarselen hvis produktets kjølesystem inneholder R134a:

Typen gass som brukes i produktet er oppgitt på typeskiltet som finnes på venstre side inne i kjøleskapet.

Kast aldri produktet inn i flammer ved avhending.

Hva du må gjøre for å spare energi

- Ikke hold dørene til kjøleskapet åpne over lang tid.
- Ikke putt varm mat eller drikke i kjøleskapet.
- Ikke overlast kjøleskapet slik at luftsirkulasjonen inne i kjøleskapet forhindres.
- Ikke plasser kjøleskapet i direkte sollys eller i nærheten av varmeutstrålende apparater, slik som ovn, oppvaskmaskin eller radiator.
- Sørg for å holde maten i lukkede beholdere.
- Opptining av frossenmat i kjøleskapsdelen vil både være energisparende og bevare matkvaliteten.

3 Montering

⚠ Vennligst husk at produsenten ikke skal holdes ansvarlig hvis informasjonen som gis i bruksanvisningen ikke overholdes.

Punkter som er viktige ved ytterligere transportering av kjøleskapet

1. Kjøleskapet må være tømt og rengjort før all transport.
2. Hyller, tilbehør, grønnsaksoppbevaringsbokser o.a. i kjøleskapet må være festet trygt ved hjelp av selvklebende tape mot allslags støt før ompakking.
3. Emballasjen må være surret ved hjelp av tykk tape og kraftige tau og de reglene for transport som er påtrykt emballasjen må følges.

Vennligst ikke glem...

All resirkulert materiale er en uunnværlig kilde for naturen og for våre nasjonale ressurser.

Hvis du ønsker å bidra med resirkulering av innpakkingsmaterialer, kan du få mer informasjon fra miljøorganisasjoner eller lokale myndigheter.

Før du bruker kjøleskapet

Før du begynner å bruke kjøleskapet, må du kontrollere følgende:

1. Er kjøleskapets indre tørt og kan luften sirkulere fritt bak i kjøleskapet?
2. Rengjør kjøleskapets indre slik det er anbefalt i "Vedlikehold og rengjørings"-seksjonen.

3. Koble kjøleskapet til stikkkontakten i vegg. Når kjøleskapsdøren er åpen, vil kjøleskapsavdelingens innerlys bli slått på.
4. Du vil få høre en bråkende lyd så snart kompressoren starter opp. Væsken og gassene som er forseglest inne i kjølesystemet kan også avgi lyd selv om kompressoren ikke går, noe som for øvrig er helt normalt.
5. Kjøleskapets kanter framme vil kunne føles varme. Dette er normalt. Disse delene av kjøleskapet er laget for å være varme for å unngå kondensering.

Elektrisk tilkobling

Tilkoble produktet til et jordet uttak som er beskyttet av en sikring med riktig kapasitet.

Viktig:

- Tilkoblingen skal være i overensstemmelse med nasjonale forskrifter.
- Strømledningens støpsel skal være lett tilgjengelig etter monteringen.
- Oppgitt spenning må være lik spenningen til strømmettet.
- Skjøtekabler og flerveisplugger skal ikke brukes for tilkobling.

⚠ En ødelagt strømledning skal skiftes ut av en kvalifisert elektriker.

⚠ Produktet får ikke settes i drift før det er reparert! Det er fare for elektrisk støt!

Avfallshåndtering av emballasje

Innpakningsmaterialer kan være farlige for barn. Oppbevar emballasjematerialet utilgjengelig for barn eller kast det idet du klassifiserer dem i tråd med instruksjonene ang. avfall. Kast det ikke sammen med det alminnelige husholdningsavfallet.

Emballasjen til kjøleskapet er produsert av resirkulerbare materialer.

Avfallshåndtering av det gamle kjøleskapet

Bortskaff det gamle kjøleskapet uten å skade miljøet.

- Du kan rådføre deg med din autoriserte forhandler eller kommunens avfallsinnsamlingsanlegg ang. hvordan du kan kaste kjøleskapet.
- Kutt av støpselet før du kaster kjøleskapet, og hvis det er lås på døren, må du sørge for at den ikke lenger kan brukes, slik at barn beskyttes mot enhver farlig situasjon.

Plassering og montering

⚠ Dersom inngangsdøren til det rommet der kjøleskapet skal plasseres ikke er bredt nok til at kjøleskapet kan komme gjennom, vennligst ring autorisert service for å få dem til å ta av kjøleskapsdørene og ta det sideveis inn gjennom døråpningen.

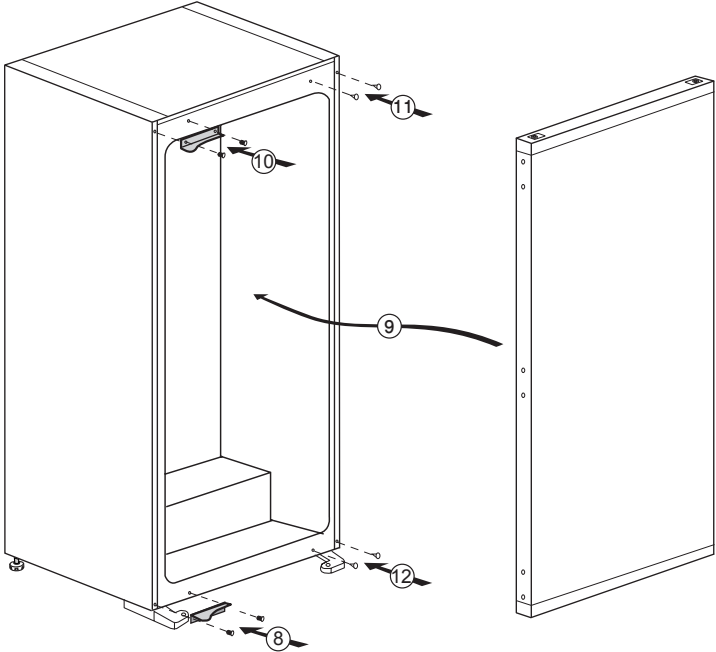
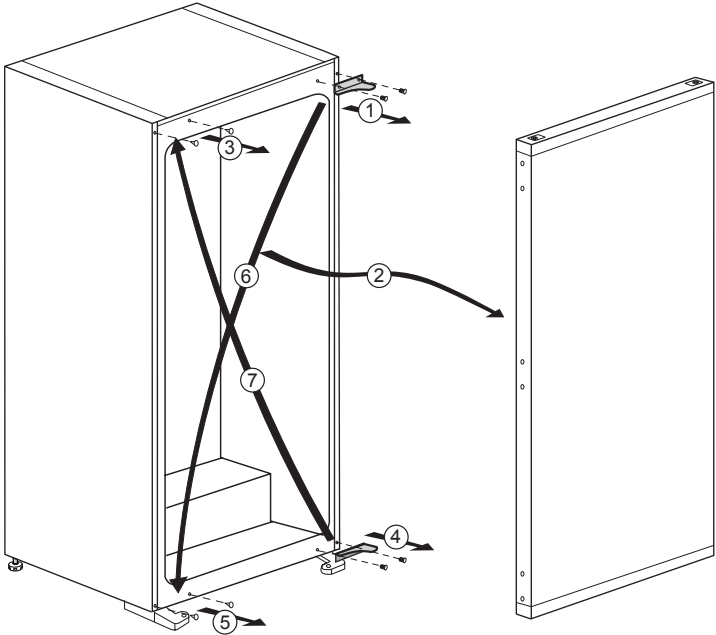
1. Plasser kjøleskapet på et sted det er enkelt å bruke det.
2. Hold kjøleskapet på avstand fra varmekilder, fuktige steder og direkte sollys.
3. Det skal være tilstrekkelig luftventilasjon rundt kjøleskapet for å oppnå en effektiv drift. Hvis kjøleskapet skal plasseres i en innbygging i veggen, må det være minst 5 cm avstand fra taket og 5 cm fra veggen. Hvis gulvet er dekket med et teppe, skal apparatet heves 2,5 cm fra gulvet.
4. Plasser kjøleskapet på et plant gulv for å unngå risting.
5. Ikke oppbevar kjøleskapet i omgivelser med temperaturer under 10°C.

Utskifting av lyspæren inne i skapet

For å skifte lampen for belysning av kjøleskapet, vennligst ring autorisert service. Lampen(e) som brukes i denne enheten er ikke egnet for belysning i hjem. Formålet for denne lampen er å hjelpe brukeren til å plassere matvarer i kjøleskapet/fryseren på en trygg og komfortabel måte. De lampen die in dit apparaat worden gebruikt moeten bestendig zijn tegen extreme fysieke omstandigheden, zoals temperaturen beneden de -20°C.

Omhengsling av dørene

Gå frem i nummerrekkefølge.

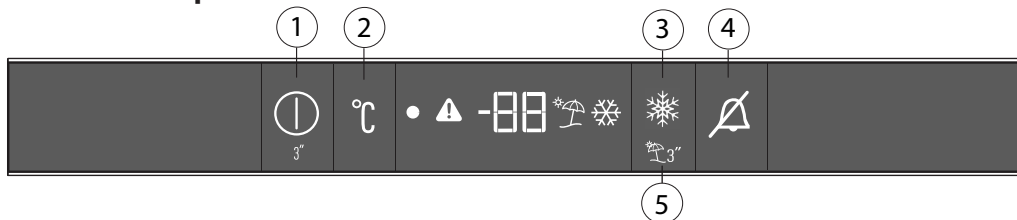


4 Forberedelse

- i** Kjøleskapet skal installeres minst 30 cm på avstand fra varmekilder, slik som f.eks. komfyrer, ovner, sentralvarme og kokeplater, samt minst 5 cm borte fra elektriske ovner og skal ikke plasseres i direkte sollys.
- i** Omgivelsestemperaturen i det rommet der kjøleskapet plasseres skal være minst 10°C. Bruk av kjøleskapet under kaldere forhold enn dette anbefales ikke pga. effektiviteten.
- i** Vennligst se til at de indre delene av kjøleskapet rengjøres grundig.
- i** Hvis to kjøleskap skal installeres ved siden av hverandre, skal det være en avstand på minst 2 cm mellom dem.
- i** Når du bruker kjøleskapet for første gang, vennligst følg instruksene rundt de første seks timene.
 - Døren skal ikke åpnes ofte.
 - Det skal kun brukes tomt uten mat.
 - Ikke trekk ut støpselet for kjøleskapet. Hvis et strømbrudd oppstår som du ikke kan kontrollere, vennligst se advarsler i avsnittet "Anbefalte løsninger på problemer".
- i** Originalinnpakningen og skummaterialer skal beholdes for fremtidig transport eller flytting.

5 Bruke kjøleskapet

Indikatorpanel



1. På/av-indikator

Trykk på på/av-knappen i tre sekunder for å slå av eller på kjøleskapet. (●) - lyser når kjøleskapet er avslått. Alle de andre symbolene er slukket.

2. Knapp for innstilling av kjøleskapstemperatur

Trykk på denne knappen (°C) for å stille kjøleskapsdelens temperatur inn på hhv. 8, 7, 6, 5, 4, 3, 2, 8... Trykk på denne knappen for å stille kjøleskapsdelens temperatur inn på ønsket verdi.

3. Hurtigkjølfunksjon

Knappen (❄️) har to funksjoner. Trykk kort på knappen for å aktivere eller deaktivere hurtigkjølfunksjonen. Hurtigkjølindikatoren slås av og produktet går tilbake til sine opprinnelige innstillinger.

Bruk hurtigkjølefunksjonen når du raskt vil kjøle ned maten du har satt inn i kjøleskapsdelen. Hvis du ønsker å kjøle ned store mengder fersk mat, må du aktivere denne funksjonen før du setter inn matvarene.

Hvis du ikke avbryter det, vil hurtigkjøl avbrytes utomatisk etter maksimalt en time eller når kjølerdelen har nådd ønsket temperatur. Denne funksjonen gjenopprettes ikke etter et strømbrytning.

4. Alarm av

Når kjøleskapsdøren har vært åpen i 1 minutter utløses en alarm. Alarmen kan slås av ved å trykke på «alarm av»-knappen (🔔). Hvis du lukker døren og deretter åpner den igjen vil «åpen døralarmen» aktiveres etter 1 minutter. Ved feil på sensoren vil advarselsikonet lyse (⚠️). Hvis knappen "Alarm av" trykkes, blir advarselen "rengjort".

5. Feriefunksjon

Trykk på denne knappen (🏖️) og hold den inntrykket i tre sekunder for å aktivere feriefunksjonen. Feriemodus-indikatoren (🏖️) aktiveres. Når feriefunksjonen er aktivert, vises "-" på kjøleskapsdelens temperaturindikator og ingen aktiv kjøling utføres i kjøleskapsdelen. Denne funksjonen egner seg ikke for å oppbevare mat i kjøledelen. For å avbryte denne funksjonen trykker du på **feriefunksjons**-knappen en gang til.

Bruke de indre oppbevaringsdelene

Flyttbare hyller: Avstanden mellom hyllene kan justeres ved behov.

Grønnsaksskuff: Grønnsaker og frukt kan lagres i denne delen over lengre tid uten å råtne.

Nederste hylle: Flasker, glass og hermetikk kan plasseres i disse hyllene.

Nedkjøling

Oppbevaring av mat

Kjøleskapsdelen brukes for kortvarig oppbevaring av ferske matvarer og drikkevarer.

Lagre melkeprodukter i tiltenkt del i kjøleskapet.

Flasker kan oppbevares i flaskeholderen eller i flaskehylle i døren.

Rått kjøtt oppbevares best i polyetylenpose i delen helt på bunnen av kjøleskapet.

La varm mat og drikke kjøle seg ned i romtemperatur før de plasseres i kjøleskapet.

- OBS

Lagre konsentrert alkohol kun stående og godt lukket.

- OBS

Lagre aldri eksplosive stoffer eller beholdere med brennbar drivgass (trykkbeholder for krem, sprayflasker og liknende) i kjøleskapet. Det er fare for eksplosjon.

Tining

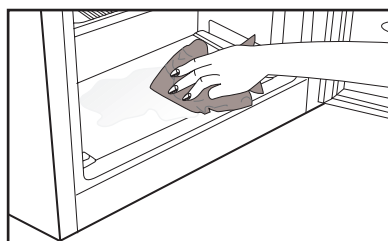
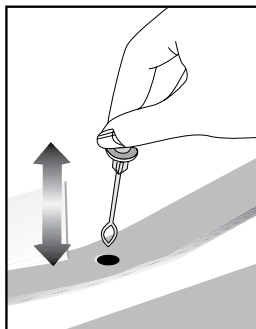
Kjøleskapsdelen ises av automatisk.

Avisingsvannet renner ned avløpsrøret via et samlekar på baksiden av kjøleskapet.

Under avising vil det danne seg vanndråper bakerst i kjøleskapet der det er skjult en evaporator.

Hvis ikke alle dråpene renner ned, kan de fryse igjen etter avising. Fjern dem med en klut med varmtvann, men aldri med en hard eller skarp gjenstand.

Kontroller flyten på smeltevannet av og til. Det hender at det kan tilstoppes.



6 Vedlikehold og rengjøring

- ⚠️ Bruk aldri bensin, benzen eller lignende stoffer til rengjøring.
- ⚠️ Vi anbefaler at du trekker ut støpselet på appartet før rengjøring.
- ⚠️ Bruk aldri noen skarpe redskaper eller rengjøringsmidler med skureeffekt, såpe, rengjøringsmidler for hjemmebruk eller voks til rengjøringen.
- 📌 Bruk lunkent vann for å vaske skapet og tørk det tørt.
- 📌 Bruk en fuktig klut vridt opp i en oppløsning av en teskje bikarbonatsoda til ca. ½ liter vann for å rengjøre innsiden av skapet og tørk det tørt.
- ⚠️ Pass på at det ikke kommer vann inn i pærehuset eller andre elektriske gjenstander.
- ⚠️ Hvis kjøleskapet ikke skal brukes over en lengre periode, må du trekke ut støpselet, ta ut alle matvarer, rengjøre det og sette døren på klem.
- 📌 Kontroller pakningene til dørene jevnlig for å sikre at de er rene og fri for matrester.
- ⚠️ For å demontere dørstativene tar du først ut alt innholdet og så skyver du ganske enkelt dørstativet opp fra bunnen.

Beskyttelse av plastoverflater

- 📌 Ikke putt flytende oljer eller oljekokte måltider i kjøleskapet i uforseglede beholdere, da disse kan ødelegge plastoverflatene i kjøleskapet. Ved søling eller smøring av olje på plastoverflater, rengjør og rens denne delen av overflaten med en gang med varmt vann.

7 Anbefalte løsninger på problemer

Gå igjennom følgende liste før du ringer etter service. Det kan spare deg tid og penger. Denne listen inkluderer hyppige klager som ikke oppstår fra defekt utføring eller materialbruk. Noen av funksjonene som beskrives her finnes kanskje ikke i ditt produkt.

Kjøleskapet virker ikke.

- Er kjøleskapet plagget inn? Sett støpselet inn i strømuttaket.
- Har sikringen til uttaket kjøleskapet er tilknyttet eller hovedsikringen gått? Kontroller sikringen.

Kondens på sideveggen av kjøleskapet (MULTIZONE, COOL CONTROL og FLEXI ZONE).

- Svært kalde omgivelser. Hyppig åpning eller lukking av døren. Svært fuktige omgivelser. Lagring av mat som inneholder væske i åpne beholdere. Døren står på gløtt. Still termostaten til en kaldere grad.
- Reduser tiden døren står åpen eller bruk mindre hyppig.
- Dekk til mat som lagres i åpne beholdere med egnet materiale.
- Tørk av kondensen med en tørr klut og kontroller om problemet fortsetter.

Kompressoren går ikke.

- Termovern for kompressoren vil koples ut under plutselig strømbrudd eller utplugging og innplugging hvis kjølevæsketrykket i kjølesystemet til kjøleskapet ikke er balansert. Kjøleskapet vil starte etter ca. 6 minutter. Vennligst ring service hvis kjøleskapet ikke starter etter utløpet av denne tiden.
- Kjøleskapet er i defrostsyklus. Dette er normalt for et helautomatisk avisningskjøleskap. Avisningssyklusen gjennomføres regelmessig.
- Kjøleskapet er ikke tilkoplest strømuttaket. Se til at støpselet passer godt inn i uttaket.
- Er temperaturinnstillingene foretatt riktig?
- Strømtilførselen kan være brutt.

Kjøleskapet går hyppig eller over lang tid.

- Det nye produktet kan være bredere enn det gamle. Dette er helt normalt. Store kjøleskap arbeider over lengre tidsperioder.
- Omgivelsestemperaturen kan være høy. Dette er helt normalt.
- Kjøleskapet kan ha vært plagget inn nylig eller blitt lastet med mat. Fullstendig nedkjøling av kjøleskapet kan ta et par timer lenger.
- Store mengder varm mat har blitt lagt inn i kjøleskapet nylig. Varm mat forårsaker lengre drift av kjøleskapet inntil den oppnår sikker oppbevaringstemperatur.
- Dørene kan ha vært åpnet hyppig eller stått på gløtt i lang tid. Varm luft som har kommet inn i kjøleskapet gjør at kjøleskapet kjører over lang tid. Åpne dørene mindre hyppig.
- Fryser- eller kjøleskapsdør kan ha stått på gløtt. Kontroller om dørene er godt lukket.
- Kjøleskapet er justert til svært kald temperatur. Juster kjøleskapets temperatur til høyere grad og vent inntil temperaturen er oppnådd.
- Dørtetningen til kjøleskapet eller fryseren kan være tilsmusset, utslitt, ødelagt eller ikke på plass. Rengjør eller skift ut tetningen. Skadet/ødelagt tetning gjør at kjøleskapet går over lang tid for å opprettholde aktuell temperatur.

Frysertemperaturen er svært lav, mens kjøleskapstemperaturen er tilstrekkelig.

- Fryserens temperatur er justert til en svært lav temperatur. Juster fryserens temperatur til en høyere grad og kontroller.

Kjøleskapstemperaturen er svært lav, mens frysertemperaturen er tilstrekkelig.

- Kjøleskapets temperatur kan ha blitt justert til svært lav temperatur. Juster kjøleskapets temperatur til en høyere grad og kontroller.

Mat som oppbevares i skuffene fryser.

- Kjøleskapets temperatur kan ha blitt justert til svært lav temperatur. Juster kjøleskapets temperatur til en høyere grad og kontroller.

Temperaturen i kjøleskapet eller fryseren er svært høy.

- Kjøleskapets temperatur kan ha blitt justert til svært høy temperatur. Kjøleskapsjusteringen har virkning på temperaturen til fryseren. Endre temperaturen i kjøleskapet eller fryseren inntil kjøleskapets eller fryserens temperatur når et tilstrekkelig nivå.
- Dørene kan ha vært åpnet hyppig eller stått på gløtt i lang tid - åpne dem mindre hyppig.
- Døren kan ha blitt stående åpen - lukk døren helt.
- Store mengder varm mat har blitt lagt inn i kjøleskapet nylig. Vent inntil kjøleskap eller fryser når ønsket temperatur.
- Kjøleskapet kan ha vært tilkoplest nylig. Fullstendig nedkjøling av kjøleskapet tar tid.

Driftslyden øker når kjøleskapet går.
<ul style="list-style-type: none"> • Ytelsen til kjøleskapet kan endres etter endringene i omgivelsestemperaturen. Dette er helt normalt og er ingen feil.
Vibrasjon eller klapping.
<ul style="list-style-type: none"> • Gulvet er ikke jevnt eller er svakt. Kjøleskapet vugger når det flyttes sakte. Se til at gulvet er sterkt nok til å bære kjøleskapet og at det er flatt. • Støyen kan forårsakes av gjenstandene som legges inn i kjøleskapet. Gjenstander oppå kjøleskapet skal fjernes.
Det kommer lyder fra kjøleskapet som ligner væskesøl eller spraying.
<ul style="list-style-type: none"> • Væske- og gasstrømninger skjer etter virkeprinsippene til kjøleskapet. Dette er helt normalt og er ingen feil.
Det høres støy som om det blåser vind.
<ul style="list-style-type: none"> • Det brukes vifter for å kjøle ned kjøleskapet. Dette er helt normalt og er ingen feil.
Kondens på de indre veggene på kjøleskapet.
<ul style="list-style-type: none"> • Varmt og fuktig vær øker ising og kondens. Dette er helt normalt og er ingen feil. • Døren kan ha blitt stående åpen - se til at dørene lukkes helt. • Dørene kan ha vært åpnet hyppig eller stått på gløtt i lang tid - åpne dem mindre hyppig.
Fuktighet oppstår på utsiden av kjøleskapet eller mellom dørene.
<ul style="list-style-type: none"> • Det kan være fuktighet i luften - dette er helt normalt ved fuktig vær. Når fuktigheten er lavere, vil kondensen forsvinne.
Dårlig lukt inni kjøleskapet.
<ul style="list-style-type: none"> • Det må rengjøres inni kjøleskapet. Rengjør innsiden av kjøleskapet med en svamp, lunkent vann eller karbonert vann. • Noen beholdere eller innpakkingsmaterialer kan forårsake lukten. Bruk en annen beholder eller annet merke på innpakkingsmaterialet.
Døren lukkes ikke.
<ul style="list-style-type: none"> • Matpakninger forhindrer lukking av døren. Flytt pakninger som forhindrer lukking av døren. • Kjøleskapet er ikke plassert helt vertikalt på gulvet og kan vugge når det beveges forsiktig. Juster høydeskruene. • Gulvet er ikke jevnt eller sterkt. Se til at gulvet er jevnt og har evne til å bære kjøleskapet.
Grønnsaksoppbevaringsboksene sitter fast.
<ul style="list-style-type: none"> • Mat kan berøre taket i skuffen. Omplasser maten i skuffen.

Lue tämä käyttöopas ensin!

Hyvä asiakas,

toivomme, että nykyaikaisissa tuotantolaitoksissa valmistamamme ja erittäin huolellisella laadunvalvonnalla tarkastettu tuote toimii käytössäsi mahdollisimman tehokkaasti.




Tämän varmistamiseksi toivomme, että luet huolellisesti koko käyttöoppaan ennen jääkaapin käyttöön ottoa, ja säilytät sitä helposti saatavilla tulevaa käyttöä varten.

Tämä käyttöopas

- Auttaa käyttämään laitetta nopeasti ja turvallisesti.
- Lue käyttöopas ennen laitteen asennusta ja käyttöä.
- Noudata ohjeita, erityisesti turvallisuutta koskevia.
- Säilytä käyttöopas helposti saatavilla olevassa paikassa, sillä voit tarvita sitä myöhemmin.
- Lue myös muut tuotteen mukana tulleet asiakirjat.
- Huomaa, että tämä käyttöopas voi soveltua myös muihin malleihin.

Symbolit ja niiden kuvaus

Tässä käyttöoppaassa käytetään seuraavia symboleja:

-  Tärkeitä tietoja tai hyödyllisiä käyttövihjeitä.
-  Varoitus hengelle ja omaisuudelle vaarallisista olosuhteista.
-  Varoitus sähköjännitteestä.



VAROITUS!

Jäähdytyslaitteen, joka käyttää täysin ympäristöystävällistä jäähdytysainetta R600a (syttyy vain tietyissä olosuhteissa), normaalin toiminnan varmistamiseksi on noudatettava seuraavia ohjeita:

- Älä estää ilman vapaata kiertoa laitteen ympärillä.
- Älä käytä mekaanisia tai muita keinoja, joita valmistaja ei suosittele, sulatusprosessin nopeuttamiseen.
- Älä vahingoita jäähdytys virtapiiriä.
- Älä käytä ruokalokeroissa laitteen sisällä sähkölaitteita, paitsi niitä joita valmistaja mahdollisesti on suositellut.

Kierrätys



Tässä tuotteessa on sähköisten ja elektronisten laitteiden jätteiden (WEEE) valikoivan lajittelun symbolimerkintä.

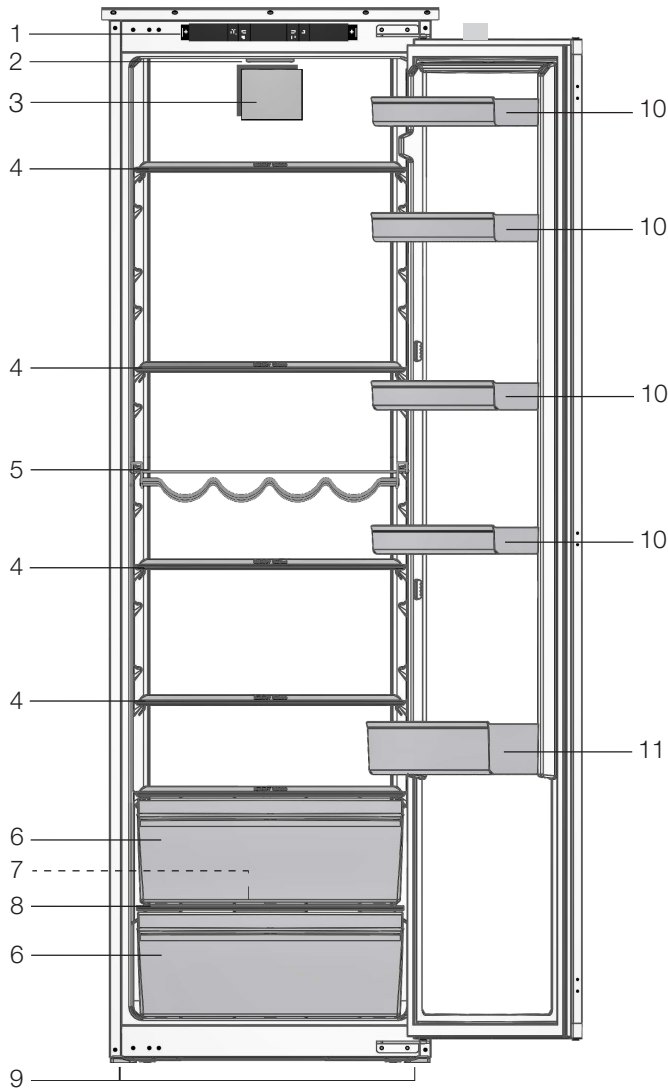
Tämä tarkoittaa, että tätä tuotetta pitää käsitellä Euroopan parlamentin ja neuvoston direktiivin 2002/96/EY:n mukaisesti, jotta sitä voidaan kierrättää ja purkaa minimoiden ympäristövaikutukset. Saat lisätietoja paikallisilta tai alueellisilta viranomaisilta.

Elektroniset laitteet, jotka eivät ole mukana valikoivassa lajittelussa ovat potentiaalisesti vaarallisia ympäristölle ja ihmisen terveydelle, koska ne sisältävät vaarallisia aineita.

SISÄLTÖ

1 Jääkaappi	3	4 Valmistelu	10
2 Tärkeitä turvallisuusvaroituksia	4	5 Jääkaapin käyttö	11
Käyttötarkoitus	4	Merkkivalopaneeli	11
Yleinen turvallisuus	4	Sisälokeroiden käyttäminen	12
Laitteet, joissa on vesiautomaatti	6	Jäähdytys	12
Lasten turvallisuus	6	Sulatus	12
HCA-varoitus	6	6 Ylläpito ja puhdistus	13
Energian säästötoimet	6	Muoviosien suojele	13
3 Asennus	7	7 Suositellut ongelmanratkaisut	14
Jääkaapin kuljetuksessa huomioitavat asiat	7		
Ennen jääkaapin käyttöä	7		
Sähköliitännät	7		
Pakkauksen hävittäminen	8		
Vanhan jääkaapin hävittäminen	8		
Sijoittaminen ja asennus	8		
Sisälampun vaihtaminen	8		
Ovien uudelleen sijoitus	9		

1 Jääkaappi



- | | |
|--------------------------|---|
| 1. Ohjauspaneeli | 7. Sulatusveden keräys kanava - kuivatusputki |
| 2. Sisävalo | 8. Vihanneslokeron kansi |
| 3. Tuoreruokien puhallin | 9. Etujalat |
| 4. Irrotettavat hyllyt | 10. Säädettävät ovihyllyt |
| 5. Viinilini | 11. Pullohylly |
| 6. Vihanneslokeri | |

! Tämän ohjekirjan kuvitus on kaavakuviin perustuvaa eikä se ehkä vastaa täysin todellista tuotetta Jos jokin osa puuttuu ostamastasi tuotteesta, kuvaus koskee muita malleja.

2 Tärkeitä turvallisuusvaroituksia

Tutustu seuraaviin ohjeisiin. Näiden ohjeiden noudattamatta jättäminen saattaa aiheuttaa loukkaantumisen tai aineellisia vahinkoja. Muuten kaikki takuu- ja käyttövarmuusvastuut mitätöityvät.

Käyttötarkoitus

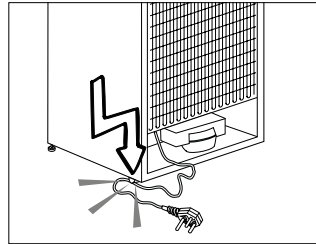
Tämä tuote on suunniteltu:

- sisätiloihin ja suljettuihin tiloihin kuten koteihin,
- suljettuihin työskentelyympäristöihin, kuten myymälöihin ja toimistoihin,
- suljettuihin majoitustiloihin kuten maataloille, hotelleihin ja pensioaatteihin.
- Tuotetta ei saa käyttää ulkona.

Yleinen turvallisuus

- Kun haluat hävittää/romuttaa laitteen, suosittelemme ottamaan yhteyttä valtuutettuun huoltoon vaadittavien tietojen ja valtuutettujen tahojen selville saamiseksi.
- Ota yhteys valtuutettuun huoltoon kaikissa jääkaappiin liittyvissä kysymyksissä ja ongelmassa. Älä puutu tai anna kenenkään muun puuttua jääkaapin huoltoon ilmoittamatta valtuutettuun huoltoon.
- Tuotteet joissa on pakastusosasto: Älä laita jäätelöä tai jääkuutioita suuhusi heti otettuasi ne pakastinosastosta! (Se voi aiheuttaa suuhun paleltuman.)
- Tuotteet joissa on pakastusosasto: Älä laita pullotettuja tai tölkitettyjä nesteitä pakastinosastoon. Ne voivat pakastettaessa särkyä.
- Älä kosketa käsin pakastettua ruokaa, se voi tarttua käteesi.
- Irrota jääkaappi verkkovirrasta ennen puhdistamista tai sulattamista.
- Höyryä ja höyrystyviä puhdistusaineita ei saa koskaan käyttää jääkaapin puhdistuksessa ja sulatuksessa. Höyry voi tässä tapauksessa päästä kosketuksiin sähköosien kanssa ja aiheuttaa oikosulun tai sähköiskun.
- Älä koskaan käytä jääkaapin osia, kuten ovea, tukena tai askelmana.
- Älä käytä sähkölaitteita jääkaapin sisällä.
- Älä vahingoita poraamalla tai leikkaamalla osia, joissa jäähdytysaine kiertää. Jäähdytysainetta voi suihkuta ulos, kun haihduttimen kaasukanava, johdon jatke tai pinnoite puhkaistaan, ja se voi aiheuttaa ihon ärsytystä ja silmävahinkoja.
- Älä peitä tai tuki millään materiaalilla jääkaapin tuuletusaukkoja.
- Vain valtuutetut henkilöt saavat korjata sähkölaitteita. Epäpätevän henkilön tekemät korjaukset voivat aiheuttaa vaaran käyttäjälle.
- Vian ilmetessä tai jääkaappia huollettaessa tai korjattaessa sammuta virta joko kääntämällä sulake pois päältä tai irrottamalla virtajohto.
- Älä vedä johdosta irrottaessasi pistokkeen.
- Säilytä väkevät alkoholijuomat tiukasti suljettuna pystyasennossa.
- Älä säilytä jääkaapissa suihkepulloja, jotka sisältävät syttyviä ja räjähtäviä aineita.
- Älä käytä sulatusprosessin nopeuttamiseen mekaanisia tai muita keinoja, joita valmistaja ei suosittele.

- Tätä laitetta ei ole tarkoitettu sellaisten henkilöiden (lapset mukaan lukien) käytettäväksi, joilla on heikentyneet fyysiset, aistimelliset tai henkiset kyvyt tai joilta puuttuu kokemusta ja tietoa, jollei heidän turvallisuudestaan vastaava henkilö valvo heitä ja opasta heitä laitteen käytössä.
- Älä käytä rikkoutunutta jääkaappia. Jos epäilet vikaa, ota yhteys huoltoedustajaan.
- Jääkaapin sähköturvallisuus taataan vain, jos kodin maadoitusjärjestelmä on standardien mukainen.
- Laitteen altistaminen sateelle, lumelle, auringolle ja tuulelle on vaarallista sähköturvallisuuden kannalta.
- Ota yhteys valtuutettuun huoltoon, jos sähköjohto on vahingoittunut, jotta vältetään vaarat.
- Älä koskaan liitä jääkaappia pistorasiaan asennuksen aikana. Se voi aiheuttaa vaaran, joka voi johtaa kuolemaan tai vakavaan vammaan.
- Tämä jääkaappi on tarkoitettu pelkästään elintarvikkeiden säilytykseen. Sitä ei saa käyttää mihinkään muihin tarkoituksiin.
- Tekniset tiedot sisältävä tyyppikilpi sijaitsee jääkaapin sisällä vasemmalla seinällä.
- Älä liitä jääkaappia sähkönsäästöjärjestelmiin. Ne voivat vahingoittaa jääkaappia.
- Jos jääkaapissa palaa sininen valo, älä katso sitä optisilla laitteilla.
- Odota käsin ohjattavan jääkaapin kohdalla vähintään 5 minuuttia ennen jääkaapin käynnistämistä sähkökatkon jälkeen.
- Tämä käyttöopas tulee luovuttaa uudelle omistajalle tuotteen mukana, jos tuote vaihtaa omistajaa.
- Vältä vahingoittamasta virtajohtoa, kun siirrät jääkaappia. Johdon taivuttaminen saattaa aiheuttaa tulipalon. Älä sijoita painavia esineitä sähköjohdon päälle.



- Älä kosketa pistoketta märin käsin, kun liität tuotteen.
- Älä kytkä jääkaappia pistorasiaan, jos sähköliitäntä on löysä.
- Vettä ei saa turvallisuuden vuoksi koskaan suihkuttaa suoraan tuotteen sisä- tai ulko-osiin.
- Älä suihkuta lähellä jääkaappia syttyviä aineita, kuten propanikaasua, sillä se aiheuttaa tulipalo- ja räjähdysvaaran.
- Älä aseta vettä sisältäviä astioita jääkaapin päälle, sillä sellainen voi aiheuttaa sähköiskun tai tulipalon.
- Älä täytä jääkaappia liian suurella elintarvikemäärällä. Jos jääkaappi on ylikuormitettu, se saattaa kaatua ja vahingoittaa sinua, ja rikkoa jääkaapin ovea avattaessa. Älä aseta esineitä jääkaapin päälle, sillä ne saattavat pudota jääkaapin ovea avatessa tai sulkiessa.
- Sellaisia tuotteita, jotka vaativat tarkan lämpötilan säädön (esim. rokotteet, lämpöherkät lääkkeet, tieteellinen materiaali jne.), ei tule säilyttää jääkaapissa.
- Jos jääkaappia ei käytetä pitkään aikaan, se on irrotettava verkkovirrasta. Mahdollinen ongelma sähköjohdossa saattaa aiheuttaa tulipalon.
- Sähköpistokkeen kärki on puhdistettava säännöllisesti. Se voi muuten aiheuttaa tulipalon.

- Sähkötulpan kärki on puhdistettava säännöllisesti kuivalla liinalla. Se voi muuten aiheuttaa tulipalon.
- Jääkaappi saattaa siirtyä, jos säädettäviä jaljoja ei ole kiinnitetty oikein lattiaan. Säädettävien jaljojen kiinnittäminen lattiaan oikein voi estää jääkaappia siirtymästä.
- Kun kannat jääkaappia, älä pidä kiinni sen ovenkahvasta. Se saattaa silloin särkyä.
- Kun laite täytyy sijoittaa toisen jääkaapin tai pakastimen viereen, laitteiden välisen etäisyyden tulee olla vähintään 8 cm. Muuten vastakkaiset seinät saattavat härmistyä.

Laitteet, joissa on vesiautomaatti

Vesijohdon paineen tulee olla vähintään 1 bar. Vesijohdon paineen tulee olla enintään 8 bar.

- Käytä vain juomavettä.

Lasten turvallisuus

- Jos ovessa on lukko, avain tulee pitää lasten ulottumattomissa.
- Lapsia tulee valvoa, jotta he eivät pääse leikkimään laitteella.

HCA-varoitus

Jos laite on varustettu jäähdytysjärjestelmällä, joka sisältää R600a-kylmäainetta:

Tämä kaasu on syttyvää. Varo siksi vahingoittamasta jäähdytysjärjestelmää ja putkistoa käytön ja kuljetuksen aikana. Pidä laite erossa mahdollisista tulenlähteistä, jotka saattavat sytyttää sen tuleen. Tuuleta huone, johon laite on sijoitettu.

Ohita tämä varoitus, jos laitteen kylmäjärjestelmä sisältää R134a-kylmäainetta.

Laitteessa käytetyn kaasun tyyppi on ilmoitettu jääkaapin sisäpuolella vasemmalla seinällä olevassa tyyppikilvessä. Älä hävitä laitetta polttamalla.

Energian säästötoimet

- Älä jätä jääkaapin ovea auki pitkäksi aikaa.
- Älä laita lämpimiä ruokia tai juomia jääkaappiin.
- Älä ylikuormita jääkaappia niin, että ilman kierto kaapin sisällä estyy.
- Älä asenna jääkaappia suoraan auringonpaisteeseen tai lähelle lämmönlähteitä, kuten uunit, astianpesukoneet tai lämpöpatterit.
- Pidä huoli, että säilytät elintarvikkeita suljetuissa astioissa.
- Pakastetun ruoan sulattaminen jääkaappiosastossa säästää sekä energiaa että säilyttää ruoan laadun.

3 Asennus

⚠ Muista, että valmistaja ei ole vastuussa, jos käyttöoppaassa annettuja tietoja ei noudateta.

Jääkaapin kuljetuksessa huomioitavat asiat

1. Jääkaappi on aina tyhjennettävä ja puhdistettava ennen kuljetusta.
2. Jääkaapin hyllyt, lisävarusteet, vihanneslokerot jne., on kiinnitettävä paikoilleen kunnolla teipillä niiden suojaamiseksi tärinältä ennen uudelleenpakkausta.
3. Pakkaus on sidottava vahvoilla teipeillä ja naruilla ja pakkaukseen painettuja kuljetusohjeita on noudatettava.

Älä unohda...

Kaikki kierrätetyt materiaalit ovat korvaamaton lähde luonnolle ja kansallisille resursseille.

Jos haluat osallistua pakkausmateriaalien kierrätykseen, saat lisätietoja ympäristöosastoilta tai paikallisilta viranomaisilta.

Ennen jääkaapin käyttöä

Tarkista seuraava ennen kuin alat käyttää jääkaappia:

1. Ovatko jääkaapin sisäpinnat kuivia ja kiertääkö ilma vapaasti jääkaapin takana?
2. Puhdista jääkaapin sisäpinnat, kuten on suositeltu osassa "Ylläpito ja puhdistus".

3. Liitä jääkaapin virtajohto pistorasiaan. Kun jääkaapin ovi avataan, jääkaapin sisätilan valo syttyy.
4. Kuulet ääntä, kun kompressori käynnistyy. Jäähdytysjärjestelmään suljetut nesteet ja kaasut voivat myös aiheuttaa jonkin verran ääntä silloinkin, kun kompressori ei ole käynnissä. Se on aivan normaalia.
5. Jääkaapin etureunat voivat tuntua lämpimiltä. Tämä on normaalia. Näiden alueiden on suunniteltu olevan lämpimiä kondensaation estämiseksi

Sähköliitännät

Liitä jääkaappi maadoitettuun pistorasiaan, joka on suojattu riittävän tehokkaalla sulakkeella.

Tärkeää:

- Liitännän on oltava kansallisten säädösten mukainen.
- Virtakaapelin pistokkeen on oltava helposti saatavilla asennuksen jälkeen.
- Määritetyn jännitteen on oltava sama kuin sähköverkolla.
- Liitäntään ei saa käyttää jatkoakaapeleita tai haaroitusrasioita.

⚠ Vahingoittunut virtakaapeli on jätettävä päteväen sähkötekniikon vaihdettavaksi.

⚠ Tuotetta ei saa käyttää ennen kuin se on korjattu! Se aiheuttaa sähköiskun vaaran!

Pakkauksen hävittäminen

Pakkausmateriaali voi olla lapsille vaarallista. Pidä pakkausmateriaali lasten ulottumattomissa tai hävitä ne lajittelemalla jätteidenhävitysohjeiden mukaisesti. Älä hävitä pakkausmateriaalia kotitalousjätteen mukana.

Jääkaapin pakkaus on valmistettu kierrätettävistä materiaaleista.

Vanhan jääkaapin hävittäminen

Hävitä vanha jääkaappi aiheuttamatta vahinkoa ympäristölle.

- Voit ottaa yhteyden valtuutettuun jälleenmyyjään tai kunnalliseen jätehuoltokeskukseen saadaksesi ohjeet jääkaapin hävittämisestä.
- Ennen kuin hävität jääkaapin, leikkaa virtapistoke irti, ja jos ovesta on lukitus, tee siitä toimintakyvytön, jottei siitä koidu vaaraa lapsille.

Sijoittaminen ja asennus

⚠ Jos oviaukko jääkaapin asennushuoneeseen ei ole tarpeeksi leveä, soita valtuutettuun huoltoon ja pyydä heitä irrottamaan jääkaapin ovet, jolloin se saattaa mahtua ovesta sivuttain.

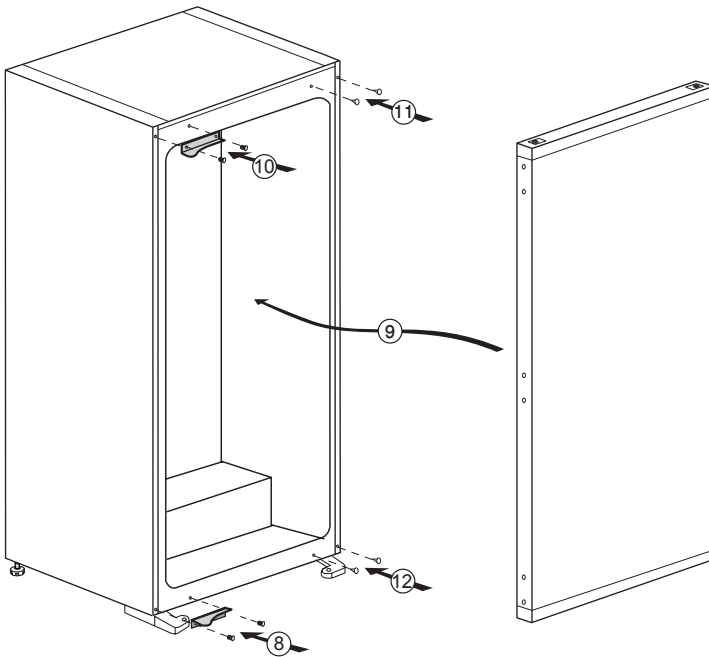
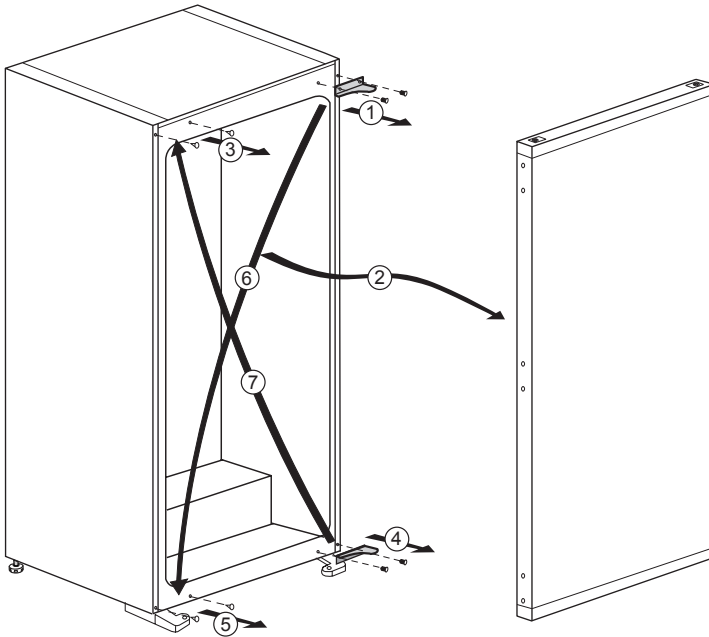
1. Asenna jääkaappi paikkaan, jossa sitä on helppo käyttää.
2. Pidä jääkaappi etäällä lämmönlähteistä, kosteista paikoista ja suoralta auringonpaisteelta.
3. Jääkaapin ympärillä on oltavaa tilaa kunnolliselle tuuletukselle, jotta se toimisi tehokkaasti. Jos jääkaappi asetetaan seinän syvennykseen, väliä kattoon ja seiniin on jäätävä vähintään 5 cm. Jos lattia on päällystetty matolla, jääkaapin on oltava koholla lattiasta vähintään 2,5 cm.
4. Aseta jääkaappi tasaisella lattiapinnalle tärinän ehkäisemiseksi.
5. Älä säilytä jääkaappia tilassa, jonka lämpötila on alle 10°C.

Sisälampun vaihtaminen

Ota yhteyttä valtuutettuun huoltoon, kun jääkaapin lamppu on vaihdettava. Tämän kodinkoneen valaisin/valaisimet eivät sovellu huoneen valaisemiseen. Valaisimen tarkoitus on auttaa käyttäjää sijoittamaan elintarvikkeet jääkaappiin/pakastimeen on turvallisella ja mukavalla tavalla. Tässä laitteessa käytettävien lamppujen tulee kestää äärimmäisiä olosuhteita kuten alle -20°C lämpötiloja.

Ovien uudelleen sijoitus

Etene numerojärjestyksessä.

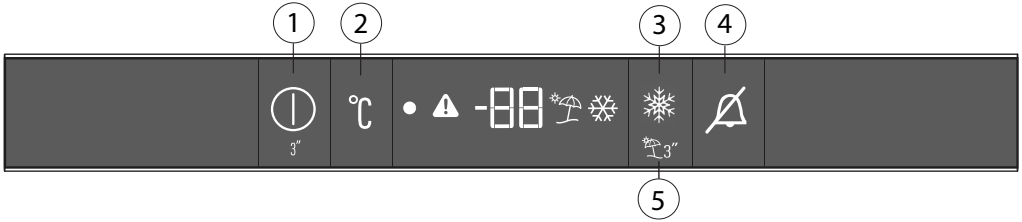


4 Valmistelu

- i** Jääkaappi on asennettava vähintään 30 cm:n etäisyydelle lämmönlähteistä, kuten keittotaso, liesi, keskuslämmitin ja uuni sekä vähintään 5 cm:n etäisyydelle sähköliedestä, eikä sitä saa sijoittaa suoraan auringonpaisteeseen.
- i** Jääkaapin sijoitushuoneen lämpötilan on oltava vähintään 10°C. Jääkaapin käyttöä kylmemmissä olosuhteissa ei suositella, sillä sen tehokkuus kärsii.
- i** Varmista, että jääkaapin sisäpinta on puhdistettu huolellisesti.
- i** Jos kaksi jääkaappia asennetaan rinnakkain, niiden väliin on jätettävä tilaa vähintään 2 cm.
- i** Kun käytät jääkaappia ensimmäistä kertaa, huomioi seuraavat ohjeet ensimmäisten kuuden tunnin aikana.
 - Ovea ei saa avata jatkuvasti.
 - Laitetta on käytettävä tyhjänä ilman elintarvikkeita.
 - Älä irrota jääkaappia verkkovirrasta. Jos ilmenee itsestäsi riippumaton virtakatkos, katso varoitukset osassa "Suositellut ongelmanratkaisut".
- i** Alkuperäiset pakkaus- ja vaahtomuovimateriaalit kannattaa säilyttää tulevaa kuljetusta tai siirtoa varten.

5 Jääkaapin käyttö

Merkkivalopaneeli



1. Pälle/pois-merkkivalo

Paina päälle/pois-painiketta 3 sekunnin ajan, kun haluat kytkeä jääkaapin pois päältä tai takaisin. Jääkaapin ollessa pois päältä, ● symboli syttyy palamaan. Muut symbolit ovat sammuvat.

2. Jääkaappiosaston lämpötilan ilmaisın asetuspainike

Paina tätä painiketta (°C) asettaaksesi jääkaapin lämpötilaksi 8, 7, 6, 5, 4, 3, 2, 8... astetta. Aseta jääkaappiosaston lämpötila haluamaksesi painamalla tätä painiketta.

3. Pikajäähdytystoiminto

Painikkeella (❄️) on kaksi toimintoa. Paina painiketta lyhyesti kytkeäksesi päälle tai sammuttaaksesi pikajäähdytystoiminnon. Pikajäähdytyksen ilmaisın sammuu ja laite palaa normaaliasetuksiinsa.

Käytä pikajäähdytystoimintoa, kun haluat jäähdyttää nopeasti jääkaappiin asetetut elintarvikkeet. Jos haluat jäähdyttää suuria määriä tuoreita elintarvikkeita, aseta tämä toiminto päälle ennen kuin laitot elintarvikkeet jääkaappiin.

Jos et peruuta toimintoa, pikajäähdytystoiminto peruuttaa itsensä automaattisesti 1 tunnin kuluttua, tai kun jääkaappiosasto saavuttaa vaaditun lämpötilan. Toimintoa ei palauteta, kun virta palaa sähkökatkon jälkeen.

4. Hälytys pois-varoitus

Kun jääkaapin ovi avataan 1 minuutin ajaksi hälytysääni käynnistyy. Hälytys voidaan sammuttaa painamalla Hälytys pois - painiketta (🔔). Jos suljet oven ja avaat sen uudelleen, "Ovi auki" -hälytys aktivoidaan uudelleen 1 minuutin kuluttua. Jos anturi vikaantuu, varoituskuvake syttyy (⚠️). Jos painetaan "Hälytys pois" -painiketta, varoitus "puhdistetaan".

5. Lomatoiminto

Kytke lomatoiminto päälle painamalla painiketta (🌙) 3 sekunnin ajan, jolloin lomatilän merkkivalo (🌙) syttyy. Lomatoiminnon ollessa asetettuna, jääkaappiosaston lämpötilan ilmaisimessa näkyy "-", eikä jääkaappiosaston jäähdytystä suoriteta. Toiminto ei sovellu elintarvikkeiden säilyttämiseen jääkaappiosastossa. Peruuttaaksesi tämän toiminnon paina Lomatoimintopaiketta uudelleen.

Sisälokeroiden käyttäminen

Irrotettavat hyllyt: Hyllyjen välistä etäisyyttä voidaan tarvittaessa säätää.

Vihanneslokero: Kasviksia ja hedelmiä voidaan säilyttää tässä lokerossa pidempiä aikoja niiden pilaantumatta.

Pullohylly: Pullot, tölkit ja purkit voidaan sijoittaa näille hyllyille.

Jäähdytys

Ruokien säilytys

Jääkaappiosasto on tarkoitettu tuoreiden ruokien ja juomien lyhytaikaiseen säilytykseen.

Säilytä maitotuotteet niille tarkoitettussa osassa jääkaappia.

Pullot voidaan säilyttää pullonpidikkeissä tai oven pullohyllyllä.

Raaka liha säilyy parhaiten muovikäreeissä aivan jääkaapin alaosassa.

Anna kuumien ruokien ja juomien jäähtyä huonelämpötilassa, ennen kuin laitat ne jääkaappiin.

- Huomio
Säilytä alkoholijuomia ainoastaan pystyasennossa ja tiukasti suljettuna.
- Huomio
Älä koskaan säilytä laitteessa uotteita, jotka sisältävät syttyviä ponnekaasuja (spraypurkit, kermasprayt jne.). Ne aiheuttavat räjähdysvaaran.

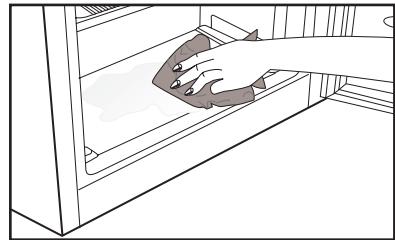
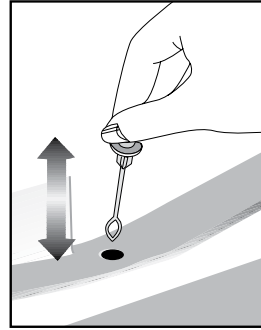
Sulatus

Jääkaappiosasto sulattaa itsensä automaattisesti. Sulatusvesi poistuu poistoputkea pitkin laitteen takana olevaan keräysastiaan.

Haihduttimen vuoksi jääkaapin takaosaan voi kertyä vesipisaroita sulatuksen aikana.

Jos kaikki vesi ei valu keräysastiaan, se saattaa jäätyä. Pyyhi vesipisarot sulatuksen jälkeen lämpimään veteen kastetulla liinalla, ei kovalla tai terävällä esineellä.

Tarkasta sulatusveden kulku ajoittain. Se saattaa joskus tukkeutua.



6 Ylläpito ja puhdistus

- ⚠ Älä koskaan käytä puhdistamiseen bensiiniä, bentseeniä tai vastaavia aineita.
- ⚠ Suosittelemme, että irrotat laitteen verkkovirrasta ennen puhdistusta.
- ⚠ Älä koskaan käytä puhdistamiseen teräviä, hankaavia välineitä, saippuaa, puhdistusainetta, pesuainetta ja vaha.
- ℹ Käytä jääkaapin sisätilojen puhdistukseen haaleaa vettä ja pyyhi kuivaksi.
- ℹ Käytä sisätilojen puhdistukseen liinaa, joka on kostutettu 1 tl ruokasoodaa ja 1/2 litraa vettä sisältävässä liuoksessa ja puristettu kuivaksi, kuivaa loppuiksi.
- ⚠ Varmista, ettei vettä pääse lamppukoteloon ja muihin sähköosiin.
- ⚠ Jos jääkaappia ei käytetä pitkään aikaan, irrota virtajohto pistorasiasta, poista kaikki ruoat, puhdista jääkaappi ja jätä ovi raolleen.
- ℹ Tarkista oven eristeet säännöllisesti varmistaaksesi, että ne ovat puhtaita ja vapaita ruoantähteistä.
- ⚠ Ovitelineiden irrottamiseksi poista niistä kaikki sisältö ja työnnä sitten ovitelinettä pohjasta ylöspäin.

Muoviosien suojele

- ℹ Älä laita nestemäistä öljyä tai öljyssä keitetyjä elintarvikkeita jääkaappiin avoimissa astioissa, sillä ne vahingoittavat jääkaapin muovipintoja. Jos öljyä vuotaa tai tarttuu muovipinnoille, puhdista ja huuhtelee kohta heti lämpimällä vedellä.

7 Suositellut ongelmanratkaisut

Tarkista tämä luettelo, ennen kuin soitat huoltoon. Se voi säästää aikaa ja rahaa. Tämä luettelo sisältää useita valituksia, jotka eivät johdu virheellisestä työstä tai käytetystä materiaalista. Joitain tässä kuvatuista ominaisuuksista ei ehkä ole laitteessasi.

Jääkaappi ei toimi.

- Onko jääkaapin virtajohto kunnolla kiinni pistorasiassa? Aseta pistoke seinäpistorasiaan.
- Onko jääkaapin pistorasian sulake tai pääsulake palanut? Tarkista sulake.

Kondensaatiota jääkaappiosaston sivuseinässä (MONIALUE, JÄÄHDYTYKSEN OHJAUS ja JOUSTAVA ALUE).

- Hyvin kylmä ympäristö. Oven jatkuva avaaminen ja sulkeminen. Hyvin kostea ympäristö. Nestepitoisten ruokien säilytys avoimessa astiassa. Oven jättäminen raolleen. Termostaatin kytkeminen kylmemmälle.
- Oven avoinna oloajan lyhentäminen tai käyttämällä sitä harvemmin.
- Avoimissa astioissa säilytettyjen ruokien peittäminen sopivalla materiaalilla.
- Pyyhi kondensoitunut vesi kuivalla liinalla ja tarkista tuleeko sitä lisää.

Kompressor ei käy.

- Kompressorin lämpövastus työntyy ulos äkillisen virtakatkoksen sattuessa tai kun virta sammuu ja syttyy uudelleen, kun jääkaapin jäähdytysjärjestelmän jäähdytysaineenpaine ei ole vielä tasapainossa. Jääkaappi käynnistyy noin 6 minuutin kuluttua. Soita huoltoon, jos jääkaappi ei käynnisty tässä ajassa.
- Jääkaapin sulatusjakso on käynnissä. Tämä on normaalia täysautomaattisesti itsesulattavassa jääkaapissa. Sulatuskierto tapahtuu tietyin väliajoin.
- Jääkaappia ei ole kytketty pistorasiaan. Varmista, että pistoke on asetettu kunnolla pistorasiaan.
- Onko lämpötila-asetukset tehty oikein?
- Kyse voi olla virtakatkoksesta.

Jääkaappi käy alituiseen tai pitkän ajan.

- Uusi tuotteesi voi olla leveämpi kuin edellinen. Tämä on aivan normaalia. Suuret jääkaapit käyvät kauemmin.
- Huonelämpötila voi olla liian korkea. Tämä on aivan normaalia.
- Jääkaappi on voitu kytkeä päälle äskettäin tai siihen on säilöty äskettäin ruokaa. Jääkaapin jäähtyminen oikeaan lämpötilaan voi kestää muutamia tunteja kauemmin.
- Suuri määrä ruokaa on voitu säilöä jääkaappiin äskettäin. Lämmin ruoka aiheuttaa jääkaapin käymisen pitempään, kunnes se saavuttaa turvallisen säilytyslämpötilan.
- Ovet on voitu avata äskettäin tai jätetty raolleen pitkäksi aikaa. Jääkaappiin päässyt lämmin ilma aiheuttaa jääkaapin käymisen pitemmän aikaa. Avaa ovia harvemmin.
- Pakastin- tai jääkaappiosaston ovi on voitu jättää raolleen. Tarkista onko ovet suljettu tiukasti.
- Jääkaappi on säädetty hyvin alhaiselle lämpötilalle. Säädä jääkaapin lämpötila lämpimämmäksi ja odota, kunnes haluttu lämpötila on saavutettu.
- Jääkaapin tai pakastimen oven tiiviste voi olla likainen, kulunut, rikkoutunut tai huonosti paikallaan. Puhdista tai vaihda tiiviste. Vahingoittunut, rikkoutunut tiiviste aiheuttaa jääkaapin käymisen pitempiä aikoja nykyisen lämpötilan ylläpitämiseksi.

Pakastimen lämpötila on hyvin alhainen, kun jääkaapin lämpötila on sopiva.

- Pakastin on säädetty hyvin alhaiselle lämpötilalle. Säädä pakastimen lämpötila lämpimämmäksi ja tarkista.

Jääkaapin lämpötila on hyvin alhainen, kun pakastimen lämpötila on sopiva.

- Jääkaappi on voitu säätää hyvin alhaiselle lämpötilalle. Säädä jääkaapin lämpötila lämpimämmäksi ja tarkista.

Jääkaappiosaston vetolaatikoissa säilytetty ruoka jäätyy.

- Jääkaappi on voitu säätää hyvin alhaiselle lämpötilalle. Säädä jääkaapin lämpötila lämpimämmäksi ja tarkista.

Jääkaapin tai pakastimen lämpötila on hyvin korkea.

- Jääkaapin lämpötila on voitu säätää hyvin korkealle lämpötilalle. Jääkaapin säädöt vaikuttavat pakastimen lämpötilaan. Muuta jääkaapin tai pakastimen lämpötilaa, kunnes jääkaappi tai pakastin saavuttaa riittävän tason.
- Ovet on voitu avata äskettäin tai jätetty raolleen pitkäksi aikaa. Avaa niitä harvemmin.
- Ovi on voitu jättää raolleen. Sulje ovi kokonaan.
- Suuri määrä lämmintä ruokaa on voitu säilöä jääkaappiin äskettäin. Odota, kunnes jääkaappi tai pakastin saavuttaa halutun lämpötilan.
- Jääkaapin virtajohto on voitu liittää pistorasiaan äskettäin. Jääkaapin kokonaan jäähtyminen kestää oman aikansa.

Käyntiääni voimistuu, kun jääkaappi käy.
<ul style="list-style-type: none"> Jääkaapin käyttöteho saattaa muuttua ympäristön lämpötilan muutosten mukaan. Se on normaalia eikä ole vika.
Tärinä tai käyntiääni.
<ul style="list-style-type: none"> Lattia ei ole tasainen tai se on heikko. Jääkaappi huojuu, kun sitä siirretään hitaasti. Varmista, että lattia kestää jääkaapin painon ja että se on tasainen. Melu saattaa johtua jääkaappiin laitetuista kohteista. Jääkaapin päällä olevat esineet on poistettava.
Jääkaapista kuuluu nesteen vuotamisen tai suihkuamisen kaltaisia ääniä.
<ul style="list-style-type: none"> Neste- ja kaasuvuotoja ilmenee jääkaapin käyttöperiaatteiden mukaisesti. Se on normaalia eikä ole vika.
Kuuluu tuulen huminan kaltaista ääntä.
<ul style="list-style-type: none"> Jääkaapin jäähdyttämiseen käytetään tuulettimia. Se on normaalia eikä ole vika.
Kondensaatio jääkaapin sisäseinissä.
<ul style="list-style-type: none"> Kuuma ja kostea sää lisää jäätymistä ja kondensaatiota. Se on normaalia eikä ole vika. Ovet on voitu jättää raolleen. Varmista, että ovet on suljettu kokonaan. Ovet on voitu avata äskettäin tai jätetty raolleen pitkäksi aikaa. Avaa niitä harvemmin.
Kosteutta esiintyy jääkaapin ulkopinnoilla tai ovien välissä.
<ul style="list-style-type: none"> Ilma saattaa olla kostea. Tämä on normaalia kostealla säällä. Kun kosteutta on vähemmän, kondensaatio häviää.
Paha haju jääkaapin sisällä.
<ul style="list-style-type: none"> Jääkaapin sisäpuoli on puhdistettava. Puhdista jääkaapin sisäpuoli sienellä, haalealla vedellä tai hiilihapollisella vedellä. Jotkut astiat tai pakkausmateriaalit voivat olla hajun aiheuttajia. Käytä erilaista säilytysastiaa tai erimerkkistä pakkausmateriaalia.
Ovi ei sulkeudu.
<ul style="list-style-type: none"> Elintarvikepakkaukset voivat estää oven sulkeutumisen. Poista pakkaukset, jotka ovat oven esteenä. Jääkaappi ei ole täysin suorassa lattialla ja se keinuu vähän liikuttaessa. Säädä nostoruuveja. Lattia ei ole tasainen tai kestävä. Varmista, että lattia on tasainen, ja että se kestää jääkaapin painon.
Lokerot ovat juuttuneet.
<ul style="list-style-type: none"> Elintarvikkeet voivat olla kosketuksissa lokeron katon kanssa. Järjestä ruoat uudelleen vetolaatikossa.

